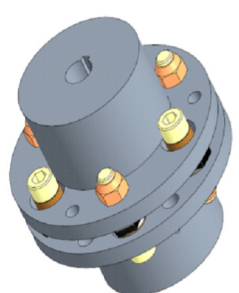
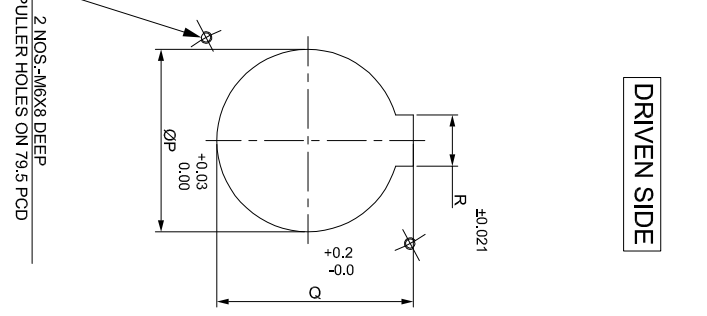
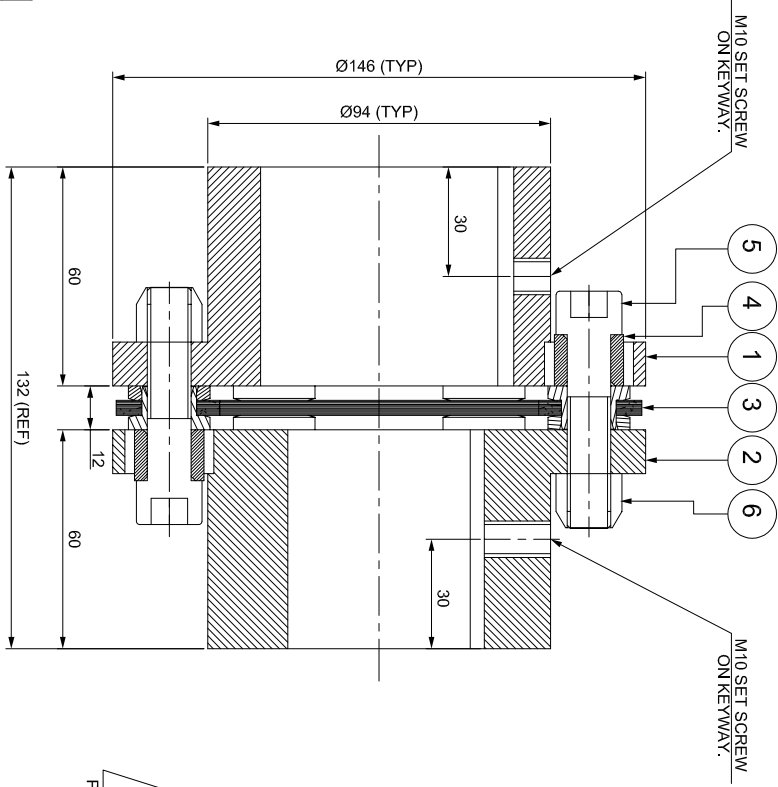
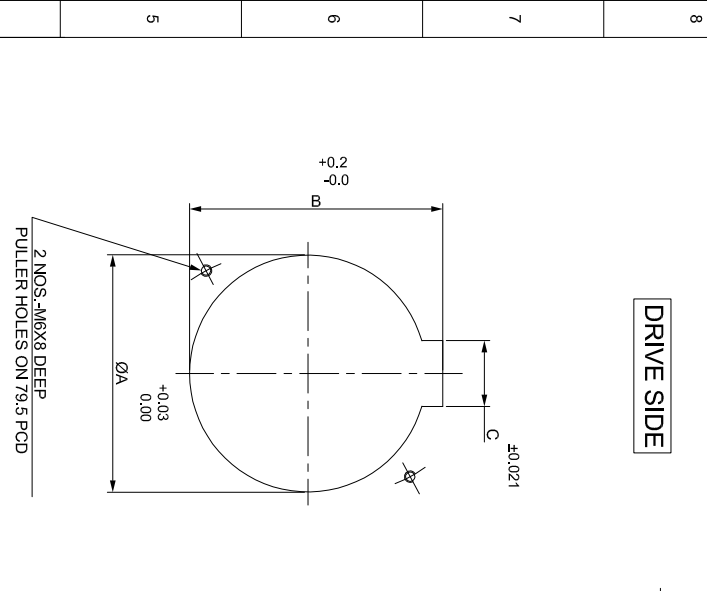


J	I	H	G	F	E	D	C	B	A
SAP CODE									



APPLICATION DETAILS	
RATED POWER	-
RATED SPEED	-
RATED TORQUE	-
AS.F.	-
COUPLING SPECIFICATIONS	
COUPLING RATING	20 kW @ 100 RPM
CONTINUOUS TORQUE	1910 Nm
PEAK TORQUE	3820 Nm
SHORT CIRCUIT TORQUE	6685 Nm
MAX. BORE	65 mm
MAX. SPEED	4800 RPM
WEIGHT (Approx.)	8.5 kg
INERTIA (WK ²)	0.026 kgm ²
GD ²	0.104 kgm ²
TORSIONAL STIFFNESS	0.895 MNm/rad
CPLG DYNAMIC BALANCING	GR. 2.5, ISO 21940-11
MAX. MISALIGNMENT	
AXIAL	± 1 mm
ANGULAR	0.75° PER STACK

REV	DMRN NO.	DESCRIPTION	REV. BY	APPD. BY	DATE

TITLE:		RUMK-220 / I / XXXX CPLG	
CUSTOMER NAME:		RATHI TRANSPOWER PVT. LTD.	
MATERIAL:		REFER TABLE	
SR. NO.	DESCRIPTION	MATERIAL	QTY.
1	DRIVE HUB (I)	ASTM A 1040	1
2	DRIVEN HUB (I)	ASTM A 1040	1
3	ELEMENT BLADE ASSEMBLY	ASTM A 1040	1
4	SLEEVE	ASTM A 1040	6
5	COUPLING BOLT	AH BOLT GR. 12.9 (ASTM 574M)	6
6	NYLOCK NUT	GR. 10	6