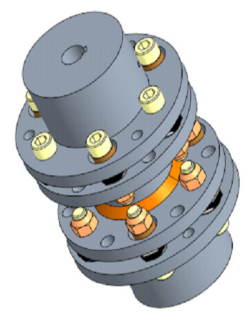
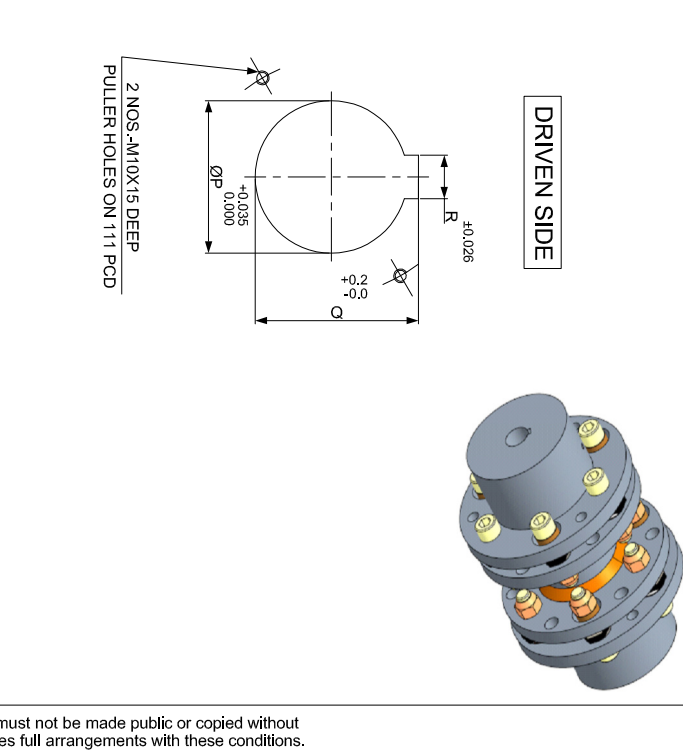
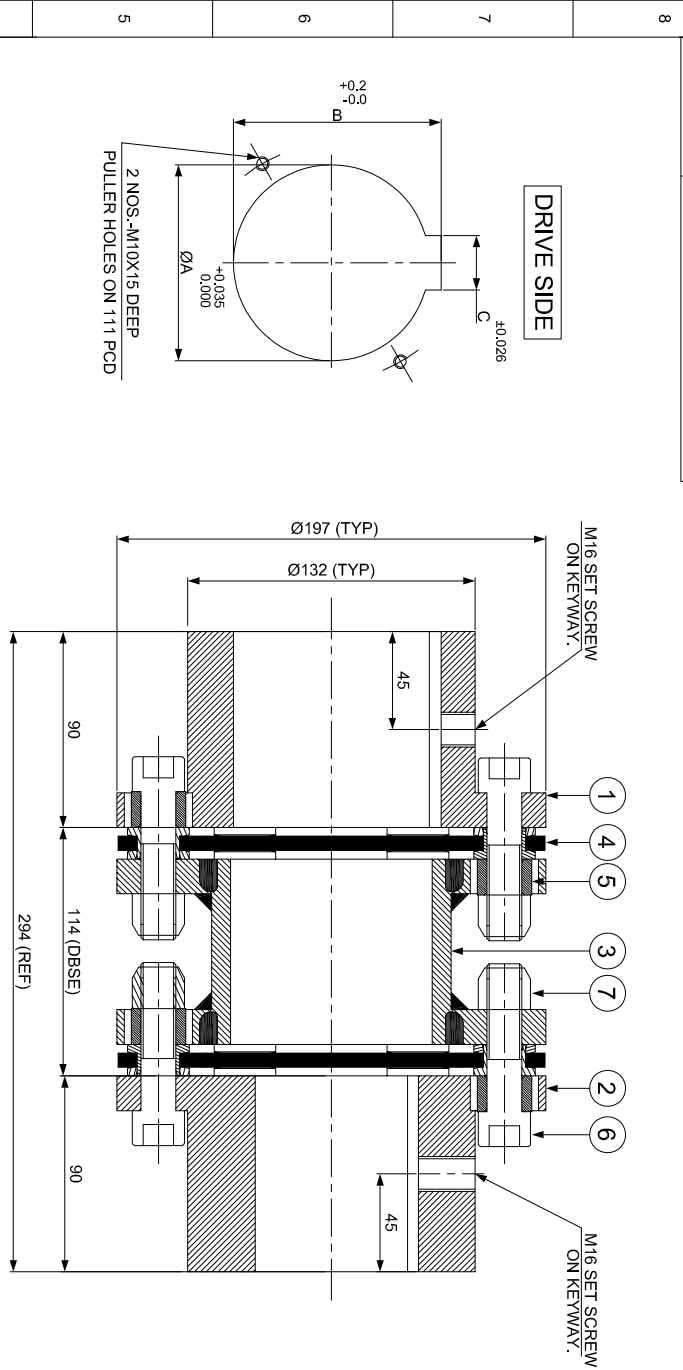


J	I	H	G	F	E	D	C	B	A
SAP CODE									



APPLICATION DETAILS	
APPLICATION	-
RATED POWER	-
RATED SPEED	-
RATED TORQUE	-
A.S.F.	-
COUPLING SPECIFICATIONS	
COUPLING RATING	58.5 kW @ 100 RPM
CONTINUOUS TORQUE	5586 Nm
PEAK TORQUE	11172 Nm
SHORT CIRCUIT TORQUE	19551 Nm
MAX. BORE	90 mm
MAX. SPEED	4200 RPM
WEIGHT (Approx.)	27.279 kg
INERTIA (WK ²)	0.122 kg.m ²
GD ^{v2}	0.488 kg.m ^{v2}
TORSIONAL STIFFNESS	0.939 MNm/rad
CPLG DYNAMIC BALANCING	GR. 2.5, ISO 21940-11
MAX. MISALIGNMENT	
AXIAL	± 2 mm
ANGULAR	0.75° PER STACK
RADIAL	1.49 mm

REV	DMFRN NO.	DESCRIPTION	REV. BY	APPD. BY	DATE

TITLE: RLM-620(114)/XXXX CPLG		MATERIAL: REFER TABLE	
CUSTOMER NAME:		RATHI TRANSPOWER PVT. LTD. PUNE, INDIA	
SR. NO.		DESCRIPTION	
1	DRIVE HUB (I)	ASTM A 1040	1
2	DRIVEN HUB (I)	ASTM A 1040	1
3	SPACER	ASTM A 1098, ASTM A-36 / ASTM A 1040	1
4	ELEMENT BLADE ASSEMBLY	AISI SS 301	2
5	SLEEVE	ASTM A 1040	12
6	COUPLING BOLT	AH BOLT GR. 12.9 (ASTM 574M)	12
7	NYLOCK NUT	GR. 10	12

This drawing/ information/ design is the property of Rathi Transpower Pvt. Ltd. It is confidential & must not be made public or copied without prior written authorization & is subjected to recall at any time. Acceptance of this drawing constitutes full arrangements with these conditions.