

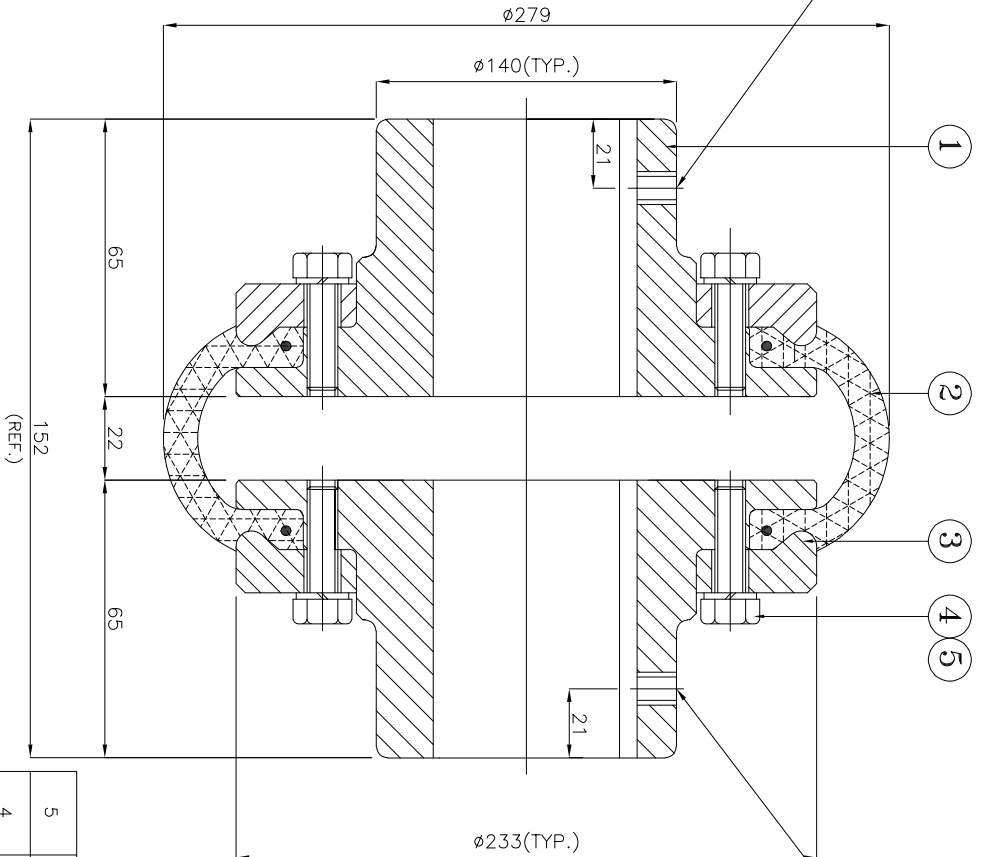
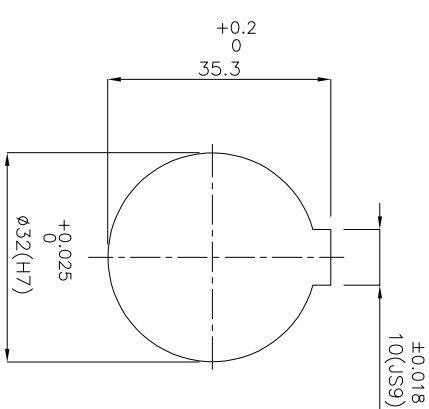
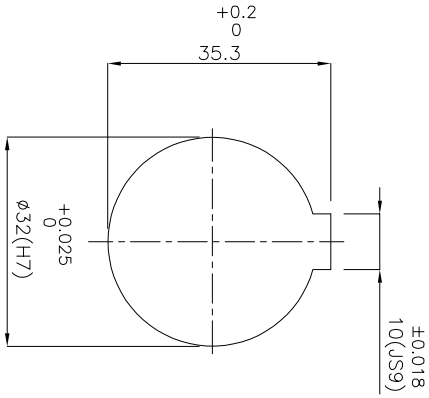
J I H G F E D C B A

DRIVE END

M6x1P SETSCREW ON KEYWAY

DRIVEN END

M6x1P SETSCREW ON KEYWAY



APPLICATION DETAILS

APPLICATION	-
RATED POWER	-
RATED SPEED	-
RATED TORQUE	-
A.S.F.	-

COUPLING SPECIFICATIONS

COUPLING RATING	9.16 kW @ 100 RPM
RATED TORQUE	0.87 kNm.
PEAK TORQUE	1.74 kNm.
MAX. SPEED	2300 rpm.
MAX. BORE	90 mm
WEIGHT(Approx.)	27.9 Kg
INERTIA (WK ²)	0.157 kgm ²
COUPLING HUBS DYNAMICALLY BALANCED TO GR.6.3 AS PER ISO: 1940-1.	

MAX. MISALIGNMENTS

AXIAL DEFLECTION	±3.7 mm.
ANGULAR DEFLECTION	3°
RADIAL DEFLECTION	2.9 mm

S/N	SR NO	DESCRIPTION	MATERIAL	QTY.
5	5	SPRING WASHER	SPRING STEEL	12
4	4	HEX HEAD BOLT	HIGH TENSILE STEEL	12
3	3	CLAMPING RING	S.G. IRON-400/15	2
2	2	TYRE	NATURAL RUBBER	1
1	1	HUB	CI IS-210 GR.FG 260	2

TITLE: **70-11 B / - - - - - CPLG.**

CUSTOMER NAME:

MATERIAL: REFER TABLE

APPROVED

AUTHORITY/ INITIALS SIGN DATE


RATHI TRANSPOWER PVT LTD
 PUNE 411006
 Dwg. No.: - - - - -
 3 EN-F-112