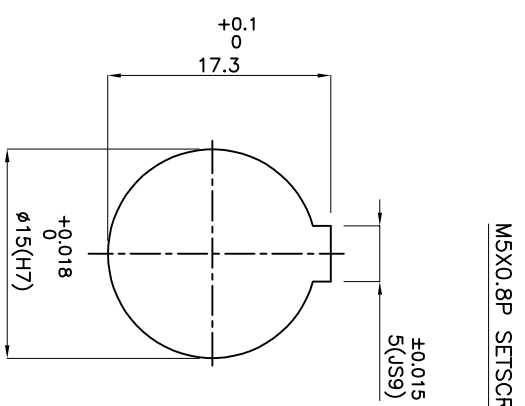
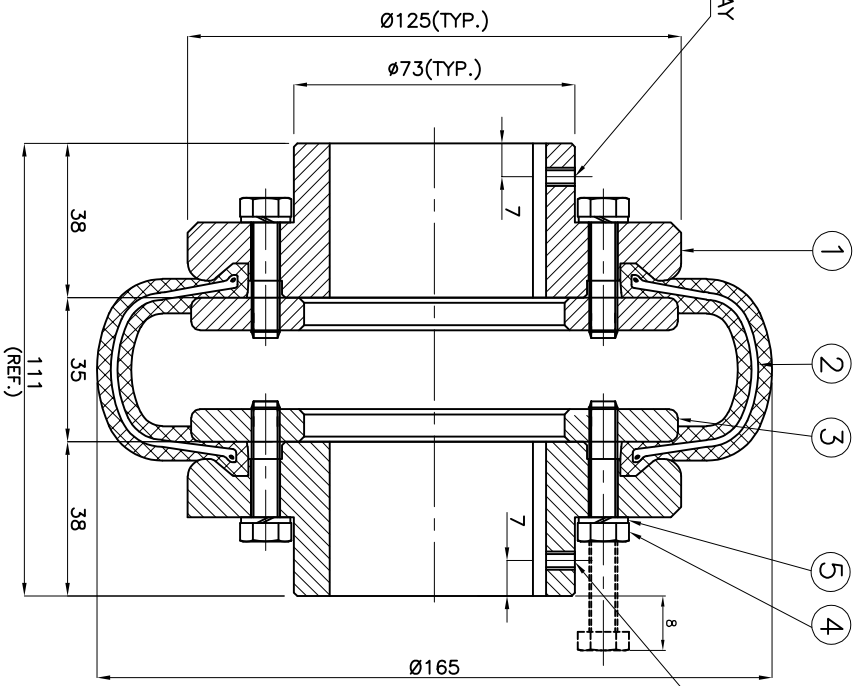
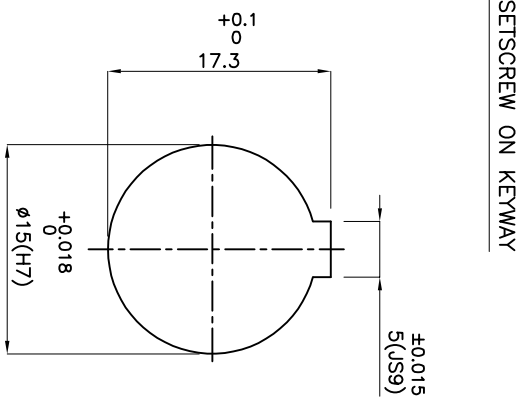


**DRIVE END**



**DRIVEN END**



**APPLICATION DETAILS**

|              |   |
|--------------|---|
| APPLICATION  | - |
| RATED POWER  | - |
| RATED SPEED  | - |
| RATED TORQUE | - |
| A.S.F.       | - |

**COUPLING SPECIFICATIONS**

|                            |                         |
|----------------------------|-------------------------|
| COUPLING RATING            | 1.33 kW @ 100 RPM       |
| RATED TORQUE               | 0.127 kNm.              |
| PEAK TORQUE                | 0.0254 kNm.             |
| MAX. SPEED                 | 4000 rpm.               |
| MAX. BORE                  | 45 mm                   |
| WEIGHT(Approx.)            | 4.86 Kg                 |
| INERTIA (MK <sup>2</sup> ) | 0.0102 Kgm <sup>2</sup> |

COUPLING HUBS DYNAMICALLY BALANCED TO GR.6.3 AS PER ISO: 1940-1.

**MAX. MISALIGNMENTS**

|                    |          |
|--------------------|----------|
| AXIAL DEFLECTION   | ±2.0 mm. |
| ANGULAR DEFLECTION | 2'       |
| RADIAL DEFLECTION  | 1.6 mm   |

| SR NO | DESCRIPTION   | MATERIAL            | QTY. |
|-------|---------------|---------------------|------|
| 5     | SPRING WASHER | SPRING STEEL        | 10   |
| 4     | HEX HEAD BOLT | HIGH TENSILE STEEL  | 10   |
| 3     | CLAMPING RING | M.S. IS 2062        | 2    |
| 2     | TYRE          | NATURAL RUBBER      | 1    |
| 1     | HUB           | CI IS-210 GR.FG 260 | 2    |

TITLE: **T-6 B /----- CPLG.**

CUSTOMER NAME:

REFER TABLE

AUTHORITY/ INITIALS | SIGN | DATE


**RATHI TRANSPOWER PVT LTD**  
 PUNE 411006  
 DRG. No.: -----  
 3 EN-F-112

This drawing / information / design is the property of Rathi Transpower Pvt. Ltd. It is confidential & must not be made public or copied without prior written authorization & is subjected to recall at any time. Acceptance of this drawing constitutes full agreement with these conditions