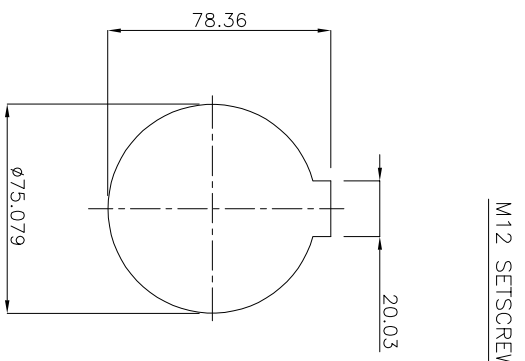
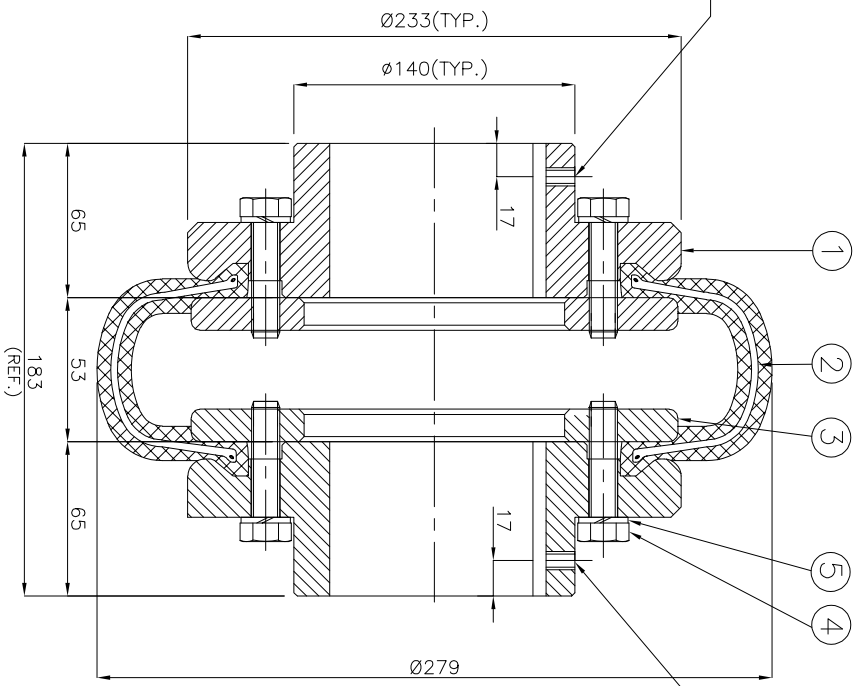
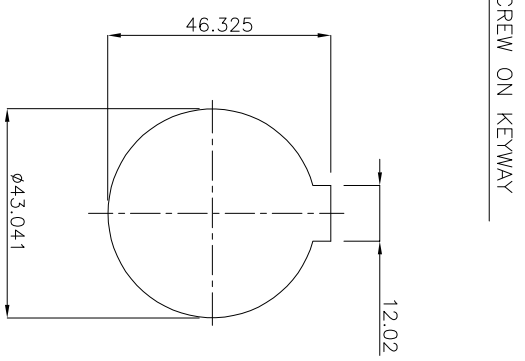


**DRIVE END**



**DRIVEN END**



**APPLICATION DETAILS**

APPLICATION	-
RATED POWER	-
RATED SPEED	-
RATED TORQUE	-
A.S.F.	-

**COUPLING SPECIFICATIONS**

COUPLING RATING	9.16 kW @ 100 RPM
RATED TORQUE	0.87 kNm.
PEAK TORQUE	1.74 kNm.
MAX. SPEED	2300 rpm.
MAX. BORE	90 mm
WEIGHT(Approx.)	27.9 Kg
INERTIA (WK <sup>2</sup> )	0.157 kgm <sup>2</sup>

COUPLING HUBS DYNAMICALLY BALANCED TO GR.6.3 AS PER ISO: 1940-1.

**MAX. MISALIGNMENTS**

AXIAL DEFLECTION	±3.7 mm.
ANGULAR DEFLECTION	3°
RADIAL DEFLECTION	2.9 mm

SR NO	DESCRIPTION	MATERIAL	QTY.
5	SPRING WASHER	SPRING STEEL	12
4	HEX HEAD BOLT	HIGH TENSILE STEEL	12
3	CLAMPING RING	M.S. IS 2062	2
2	TYRE	NATURAL RUBBER	1
1	HUB SPL	CAST IRON	2


TITLE: **T-11 B SPL FB CPLG.**

CUSTOMER NAME:

MATERIAL: REFER TABLE

AUTHORITY/INITIALS	SIGN	DATE
DRAWN	-	-
CHECKED	-	-
APPROVED	-	-

SCALE: NTS REF. No.:


**RATHI TRANSPOWER PVT LTD**  
 PUNE 411006  
 DRG. No.: 3-EN-F-112

This drawing / information / design is the property of Rathi Transpower Pvt. Ltd. It is confidential & must not be made public or copied without prior written authorization & is subjected to recall at any time. Acceptance of this drawing constitutes full agreement with these conditions