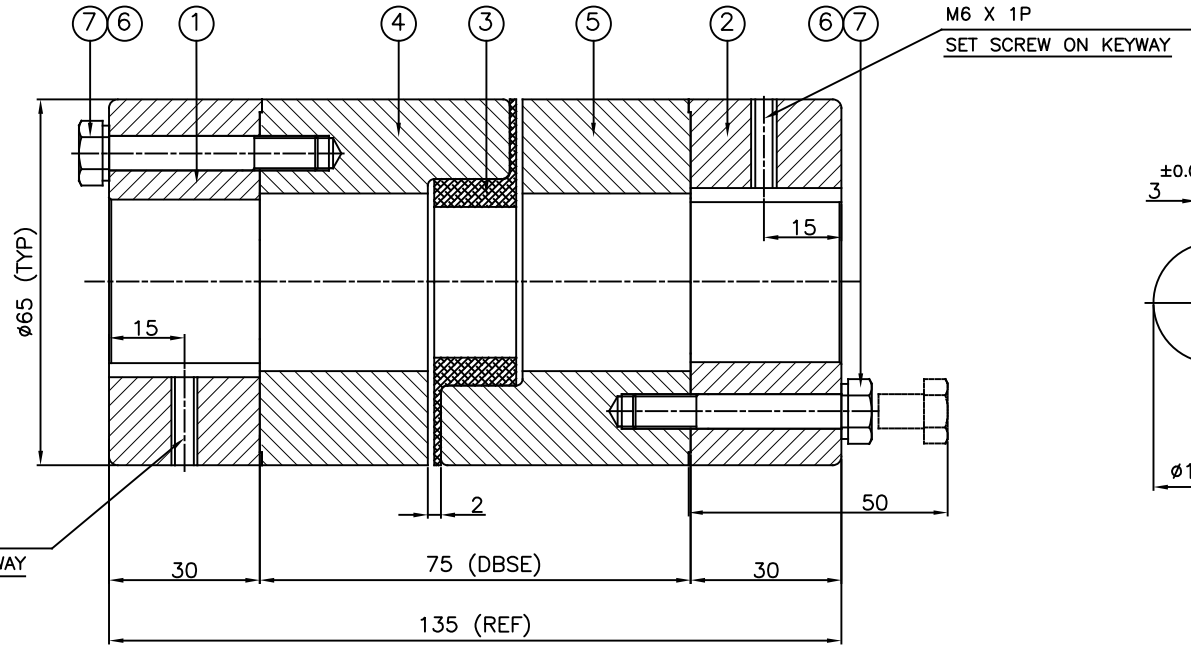
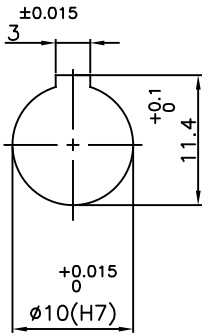
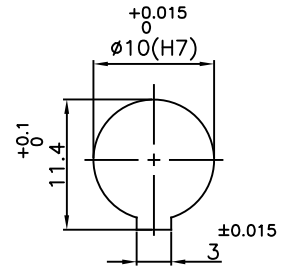


DRIVE END

DRIVEN END



M6 X 1P  
SET SCREW ON KEYWAY

M6 X 1P  
SET SCREW ON KEYWAY

**APPLICATION DETAILS**

APPLICATION	-
RATED POWER	- KW
RATED SPEED	- RPM
RATED TORQUE	- kNm
A.S.F	-

**COUPLING SPECIFICATIONS**

COUPLING RATING	1.2 kW @ 100 RPM
RATED TORQUE	116 Nm
MAX BORE	38 mm
WEIGHT (APPROX)	2.18 Kg
INERTIA WK <sup>2</sup> (APPROX)	0.004 Kgm <sup>2</sup>

CPLG COMPONENTS DYNAMICALLY BALANCED TO GR.6.3 AS PER ISO 1940- I.

**MAXIMUM MISALIGNMENTS**

AXIAL DEFLECTION	±1.0 mm
ANGUALR DEFLECTION	1°
RADIAL DEFLECTION	0.4 mm

7	COUPLING BOLT	HIGH TENSILE STEEL	6
6	SPRING WASHER	SPRING STEEL	6
5	JAW BODY-2	C.I. IS 210 GR. FG 260	1
4	JAW BODY-1	C.I. IS 210 GR. FG 260	1
3	SPIDER	H-Trans	1
2	HUB DRIVEN SIDE	C.I. IS 210 GR. FG 260	1
1	HUB DRIVE SIDE	C.I. IS 210 GR. FG 260	1
ITEM NO.	DESCRIPTION	MATERIAL	QTY.

REV.	DMRN NO.	DESCRIPTION	REV. BY	APPD. BY	DATE

TITLE: **RRL-100(75)/- CPLG REFER TABLE**

MATERIAL: **REFER TABLE**

CUSTOMER NAME: -

SCALE: 1:1

REF. No.: ---

DRG. No.: ---

**Lovejoy** **RATHI TRANSPower PVT LTD**  
PUNE 411014

This drawing / information / design is the property of Rathi Transpower Pvt. Ltd. It is confidential & must not be made public or copied without prior written authorization & is subjected to recall at any time. Acceptance of this drawing constitutes full agreement with these conditions