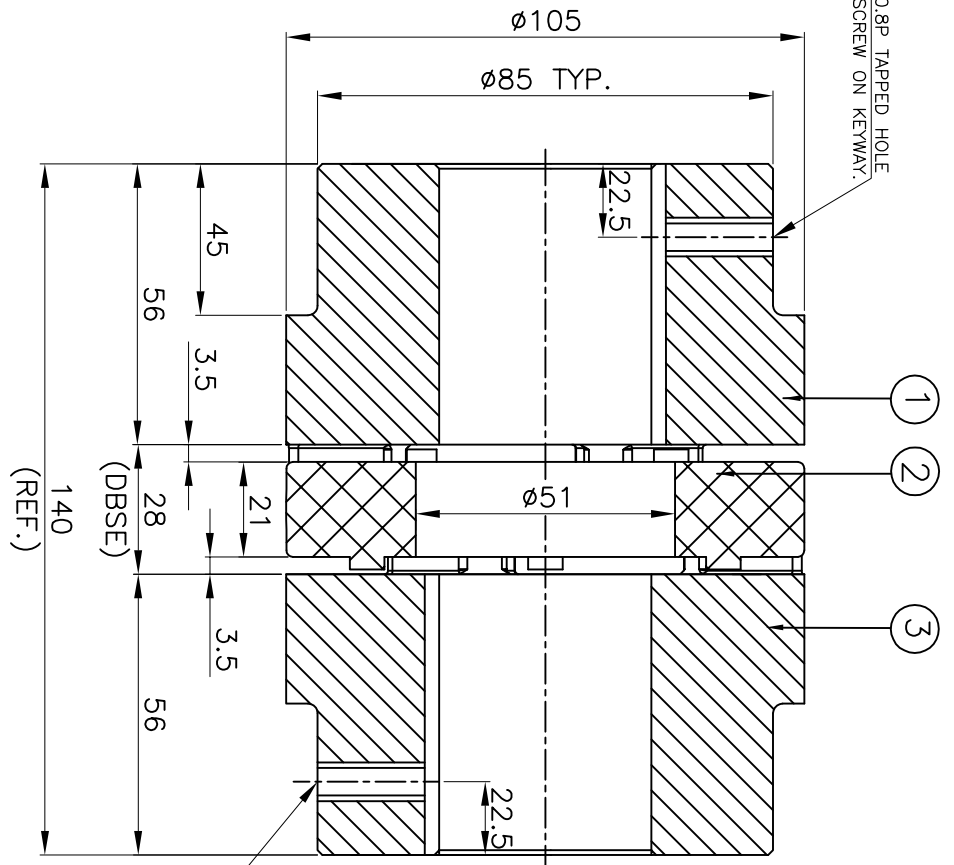
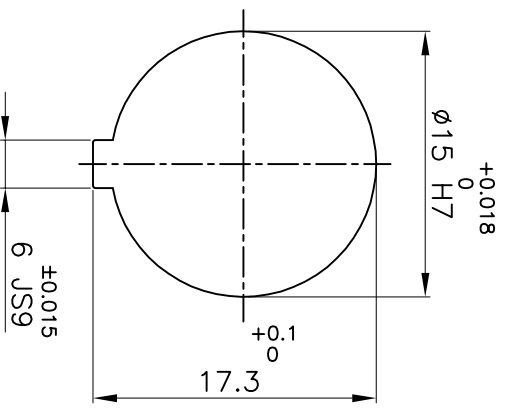


DRIVE SIDE



DRIVEN SIDE



(REF.)

MSX0.8P TAPPED HOLE FOR SET SCREW ON KEYWAY.

APPLICATION DETAILS

APPLICATION	-
RATED POWER	- KW
RATED SPEED	- RPM
RATED TORQUE	- Nm
A.S.F.	-

COUPLING CAPACITY

COUPLING RATING	6.94KW AT 100RPM.
RATED TORQUE	667Nm
MAX. BORE TYPE-I	52mm
WEIGHT (APPROX)	4.4kg
INERTIA (WK ²)	6.2X10 ⁻³ kg-m ²

MAX. MISALIGNMENT

AXIAL	±3.0mm
ANGULAR	1°
PARALLEL	0.35mm

SERIAL NO.	DESCRIPTION	MATERIAL	QTY.
3	HUB-I	C.I. IS:210 FG 260	1
2	SPIDER	POLYURETHANE (LIGHT IVORY)	1
1	HUB-I	C.I. IS:210 FG 260	1

TITLE: **RRJ-48 1/1 /-----**
CPLG.
 MATERIAL: **REFER TABLE**
 CUSTOMER NAME: **---**
 AUTHORITY INITIALS: **---** SIGN: **---** DATE: **---**
 DRAWN: **---** CHECKED: **---** APPROVED: **---**
 SCALE: NTS REF. No.: **---**

REV. DWGN NO. DESCRIPTION REV. BY APPD. BY DATE
LoveJoy
RATHI TRANSPOWER PVT LTD
PUNE 411006
 DRG. No.: **-----**
3 EN-F-112