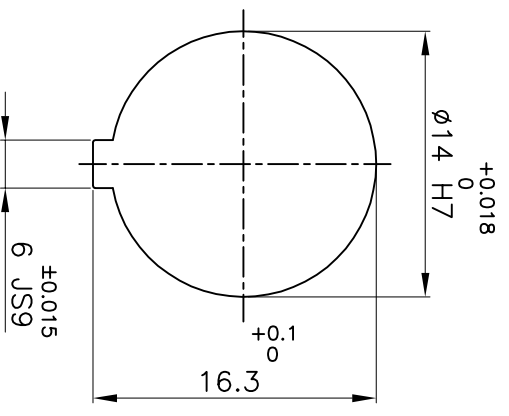
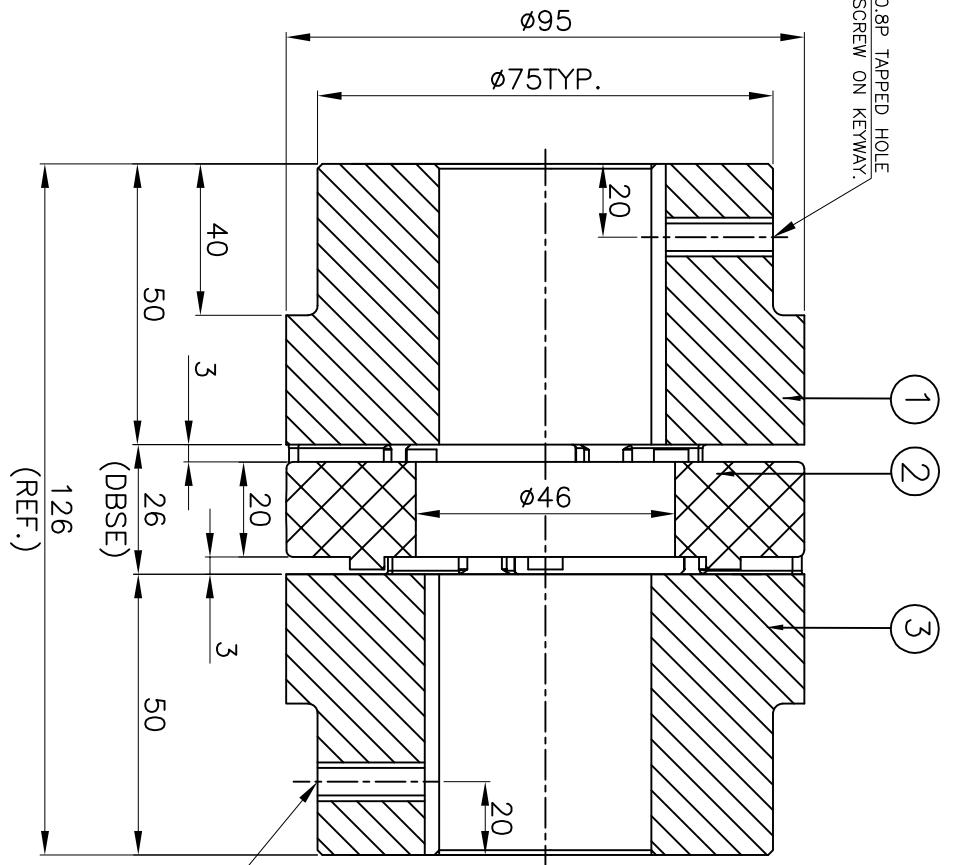


DRIVE SIDE



DRIVEN SIDE

(REF.)

MSX0.8P TAPPED HOLE FOR SET SCREW ON KEYWAY.

APPLICATION DETAILS

APPLICATION	-
RATED POWER	- KW
RATED SPEED	- RPM
RATED TORQUE	- Nm
A.S.F.	-

COUPLING CAPACITY


COUPLING RATING	5.86KW AT 100RPM.
RATED TORQUE	560Nm
MAX. BORE TYPE-I	45mm
WEIGHT (APPROX)	3.2kg
INERTIA (WK ²)	4.1X10 ⁻³ kg-m ²

MAX. MISALIGNMENT

AXIAL	±2.3mm
ANGULAR	0.90°
PARALLEL	0.30mm

S/N	SR NO	DESCRIPTION	MATERIAL	QTY.
3	HUB-I	C.I. IS:210 FG 260		1
2	SPIDER	POLYURETHANE (LIGHT IVORY)		1
1	HUB-I	C.I. IS:210 FG 260		1

TITLE: **RRJ-42 1/1 /-----**
CPLG.
 MATERIAL: **REFER TABLE**
 CUSTOMER NAME: **---**


RATHI TRANSPOWER PVT LTD
 PUNE 411006
 DRG. No.: -----/---
 3 EN-F-112

REV/DMRN NO.	DESCRIPTION	REV. BY	APPD. BY	DATE