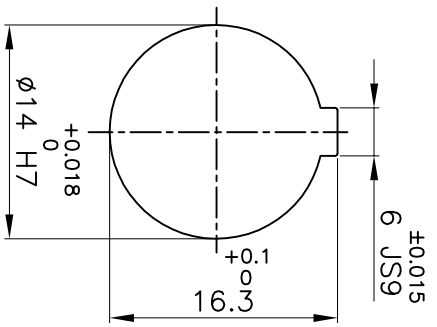
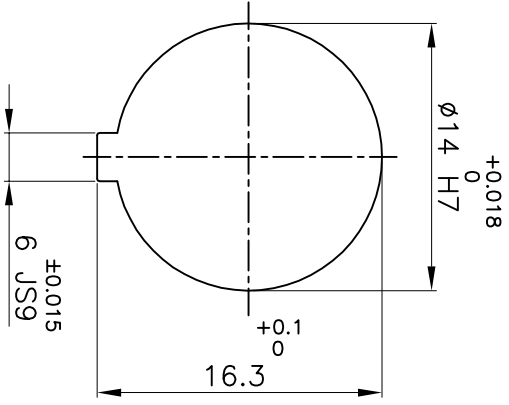
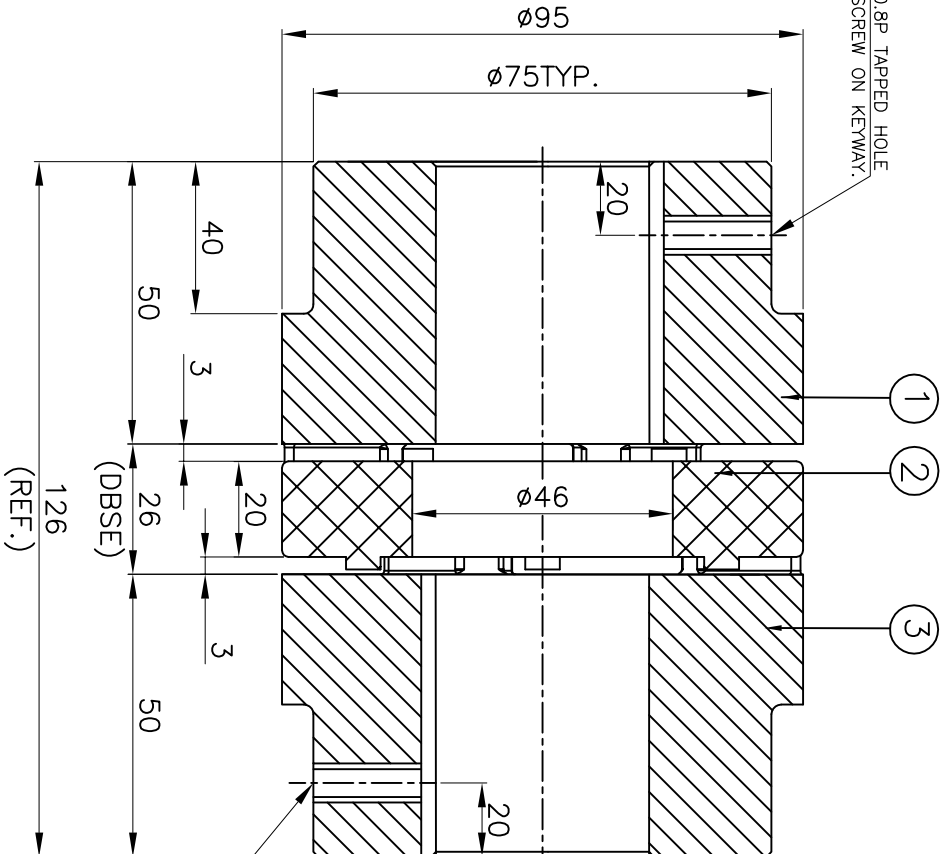


M5X0.8P TAPPED HOLE  
FOR SET SCREW ON KEYWAY.



**DRIVE SIDE**



**DRIVEN SIDE**

M5X0.8P TAPPED HOLE  
FOR SET SCREW ON KEYWAY.

**APPLICATION DETAILS**

|                            |  |
|----------------------------|--|
| APPLICATION                | -                                      |
| RATED POWER                | - KW                                   |
| RATED SPEED                | - RPM.                                 |
| RATED TORQUE               | - Nm                                   |
| A.S.F.                     | -                                      |
| <b>COUPLING CAPACITY</b>   |  |
| COUPLING RATING            | 2.65KW AT 100RPM.                      |
| RATED TORQUE               | 253Nm                                  |
| MAX. BORE TYPE-I           | 45mm                                   |
| WEIGHT (APPROX)            | 3.2kg                                  |
| INERTIA (WK <sup>2</sup> ) | 4.1X10 <sup>-3</sup> kg-m <sup>2</sup> |
| <b>MAX. MISALIGNMENT</b>   |  |
| AXIAL                      | ±2.3mm                                 |
| ANGULAR                    | 0.90°                                  |
| PARALLE                    | 0.30mm                                 |

| SERIAL NO | DESCRIPTION | MATERIAL            | QTY. |
|-----------|-------------|---------------------|------|
| 3         | HUB-I       | C.I. IS:210 FG 260  | 1    |
| 2         | SPIDER      | POLYURETHANE (GRAY) | 1    |
| 1         | HUB-I       | C.I. IS:210 FG 260  | 1    |

TITLE: **RRJ-42 I/1 /----**  
**CPLG.**  
 CUSTOMER NAME: -  
 MATERIAL: **REFER TABLE**  
 AUTHORITY INITIALS: - SIGN: - DATE: -  
 DRAWN: - CHECKED: - APPROVED: -  
 SCALE: NTS REF. No.: -  
 Dwg. No.: - / -

Rev. Dwg. No. DESCRIPTION Rev. By Appd. By DATE  
**Lovejoy** RATHI TRANSPOWER PVT LTD PUNE 411006