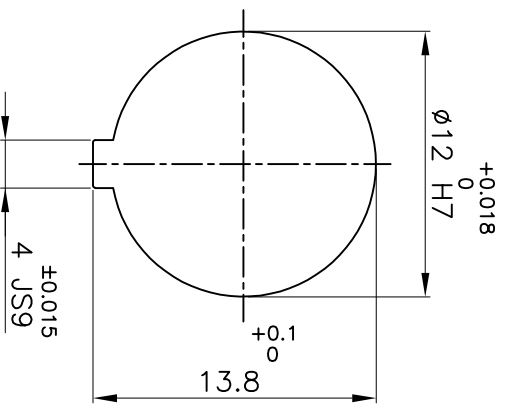
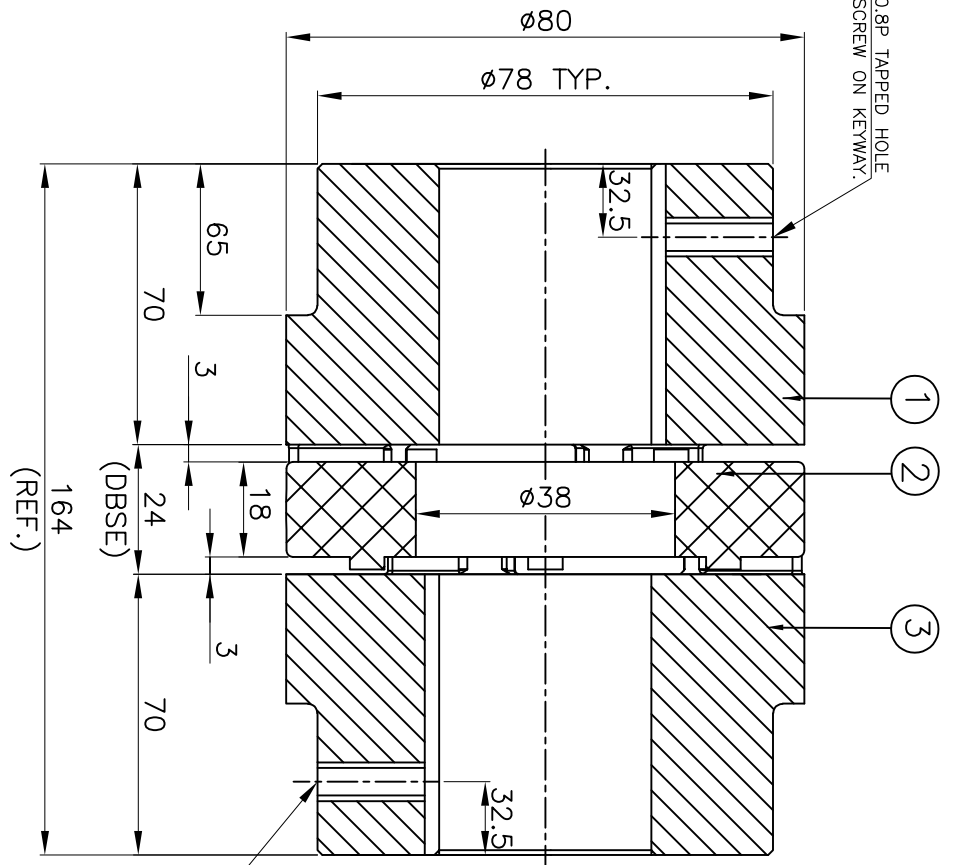


**DRIVE SIDE**



**DRIVEN SIDE**

MSX0.8P TAPPED HOLE FOR SET SCREW ON KEYWAY.

**APPLICATION DETAILS**

APPLICATION	-
RATED POWER	- KW
RATED SPEED	- RPM
RATED TORQUE	- kNm
A.S.F	-
<b>COUPLING SPECIFICATIONS</b>	
COUPLING RATING	1.9kW @ 100RPM
RATED TORQUE	182Nm
MAX BORE TYPE-III	48mm
WEIGHT (APPROX)	3.6kg
INERTIA WK <sup>2</sup> (APPROX)	3.72x10 <sup>-3</sup> kg-m <sup>2</sup>
CPLG COMPONENTS DYNAMICALLY BALANCED TO GR.6.3 AS PER ISO 21940-II.	
<b>MAXIMUM MISALIGNMENTS</b>	
AXIAL DEFLECTION	±2.2mm
ANGULAR DEFLECTION	0.90°
RADIAL DEFLECTION	0.25 mm

REV.	DMRN NO.	DESCRIPTION	REV. BY	APPD. BY	DATE

S.R. NO	DESCRIPTION	MATERIAL	QTY.
3	HUB-I	C.1 GR FG 260	1
2	SPIDER	POLYURETHANE (GRAY)	1
1	HUB-I	C.1 GR FG 260	1

TITLE: **RRJ-38 III/III /- - - - REFER TABLE**

CUSTOMER NAME: **Lovejoy**

MATERIAL: **Lovejoy**

DRG. No.: **RATHI TRANSPOWER PVT LTD PUNE 411014**

SCALE: NTS REF. No.: **3 EN-F-112**

APPROVED: **Lovejoy**

AUTHORITY INITIALS: **Lovejoy**

CHECKED: **Lovejoy**

DATE: **Lovejoy**