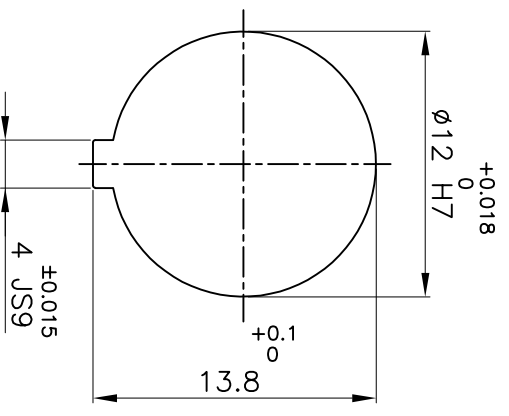
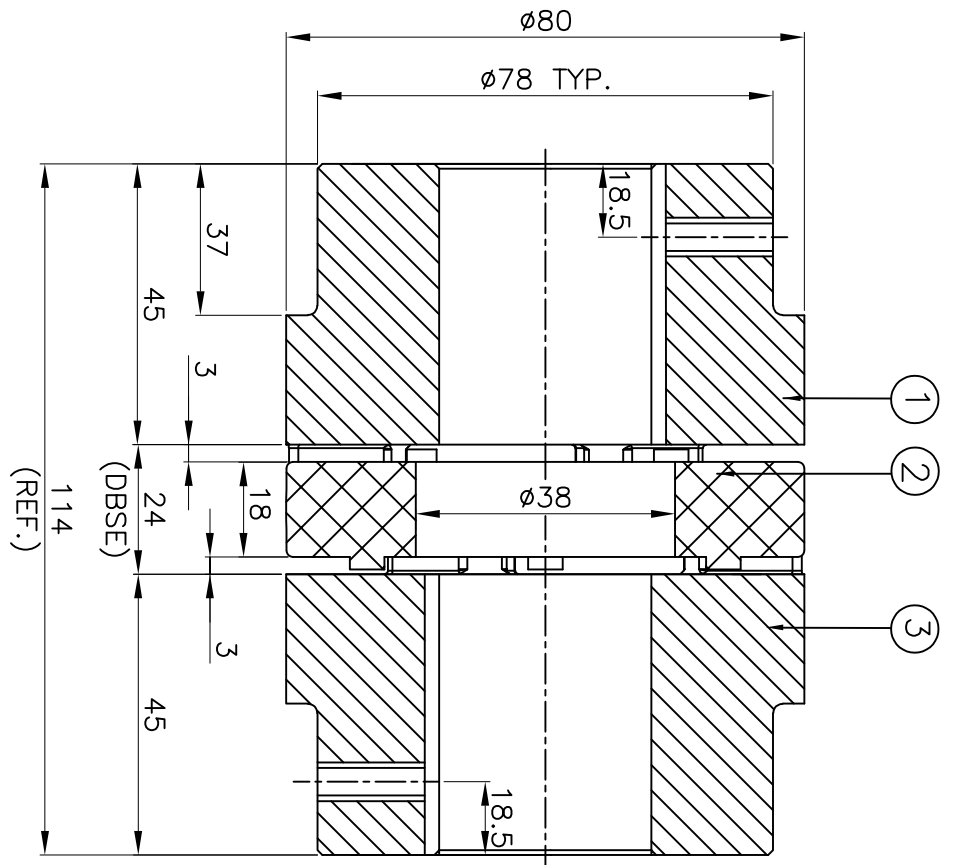


DRIVE SIDE



DRIVEN SIDE

APPLICATION DETAILS	
APPLICATION	-
RATED POWER	- KW
RATED SPEED	- RPM
RATED TORQUE	- kNm
A.S.F	-
COUPLING SPECIFICATIONS	
COUPLING RATING	1.90kW @ 100RPM
RATED TORQUE	182Nm
MAX BORE TYPE-II	48mm
WEIGHT (APPROX)	2.4kg
INERTIA WK ² (APPROX)	2.45x10 ⁻³ kg-m ²
CPLG COMPONENTS DYNAMICALLY BALANCED TO GR.6.3 AS PER ISO 21940-II.	
MAXIMUM MISALIGNMENTS	
AXIAL DEFLECTION	±2.2mm
ANGULAR DEFLECTION	0.90°
RADIAL DEFLECTION	0.25mm

REV	DMRN NO.	DESCRIPTION	REV. BY	APPD. BY	DATE

S.R. NO	DESCRIPTION	MATERIAL	QTY.
3	HUB-I	C.1 GR FG 260	1
2	SPIDER	POLYURETHANE (GRAY)	1
1	HUB-I	C.1 GR FG 260	1

TITLE: **RRJ-38 II/II /-----**

CUSTOMER NAME: **RATHI TRANSPOWER PVT LTD**

REF. TABLE

AUTHORITY INITIALS | SIGN | DATE

DRAWN | - | -

CHECKED | - | -

APPROVED | - | -

SCALE: NTS REF. No.: | - | -

DRG. No.: | - | -

3 EN-F-112