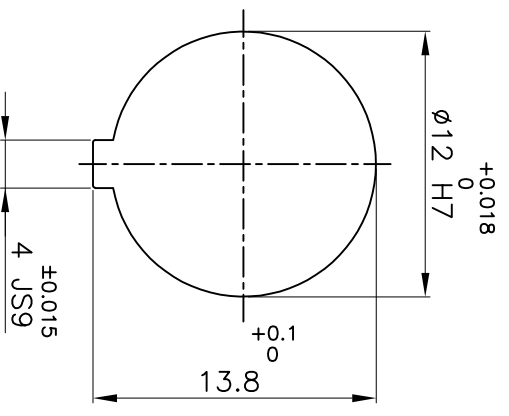
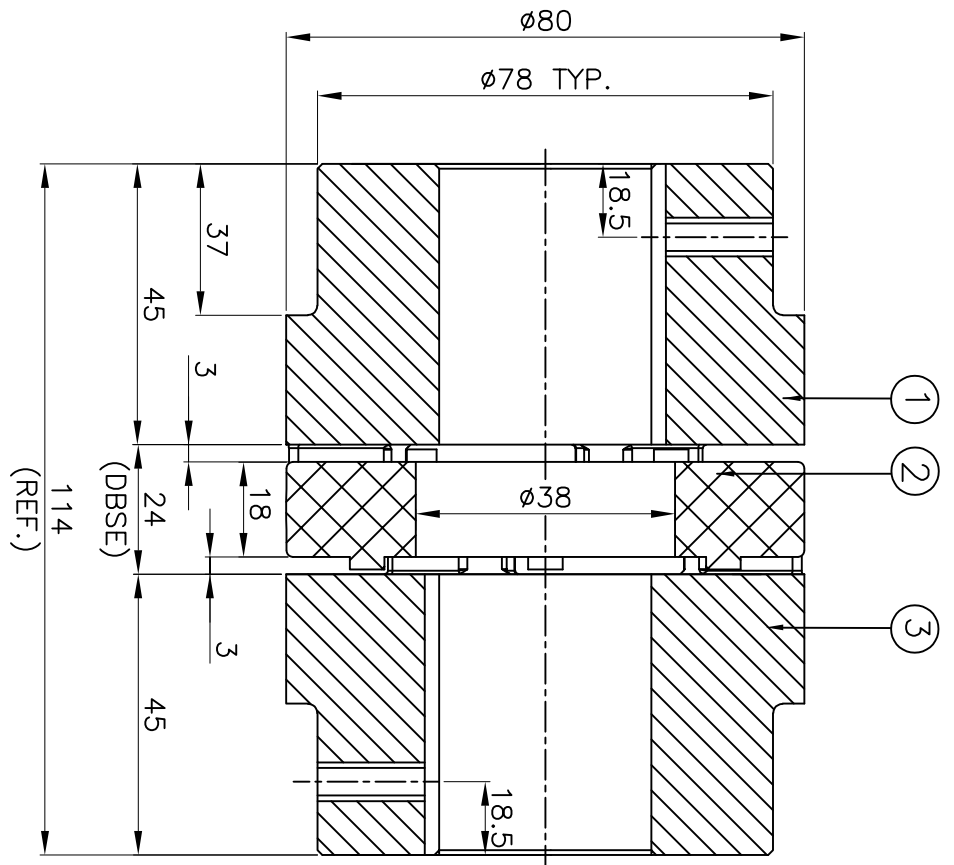


DRIVE SIDE



DRIVEN SIDE

APPLICATION DETAILS	
APPLICATION	-
RATED POWER	- KW
RATED SPEED	- RPM
RATED TORQUE	- kNm
A.S.F	-
COUPLING SPECIFICATIONS	
COUPLING RATING	3.47kW @ 100RPM
RATED TORQUE	332Nm
MAX BORE TYPE-II	48mm
WEIGHT (APPROX)	2.4kg
INERTIA WK ² (APPROX)	2.45x10 ⁻³ kg-m ²
CPLG COMPONENTS DYNAMICALLY BALANCED TO GR.6.3 AS PER ISO 21940-II.	
MAXIMUM MISALIGNMENTS	
AXIAL DEFLECTION	±2.2mm
ANGULAR DEFLECTION	0.90°
RADIAL DEFLECTION	0.25mm

REV	DMRN NO.	DESCRIPTION	REV. BY	APPD. BY	DATE

S/N	SR NO	DESCRIPTION	MATERIAL	QTY.
3	HUB-I	C.I GR FG 260		1
2	SPIDER	POLYURETHANE (BLUE)		1
1	HUB-I	C.I GR FG 260		1

TITLE: **RRJ-38 II/II /-----**

CUSTOMER NAME: **REFER TABLE**

MATERIAL: **AUTHORITY INITIALS SIGN DATE**

DRWN: -

CHECKED: -

APPROVED: -

SCALE: NTS REF: No.: -

DRG. No.: -----/

Lovejoy RATHI TRANSPOWER PVT LTD PUNE 411014

This drawing / information / design is the property of Rathi Transpower Pvt. Ltd. It is confidential & must not be made public or copied without prior written authorization & is subjected to recall at any time. Acceptance of this drawing constitutes full agreement with these conditions