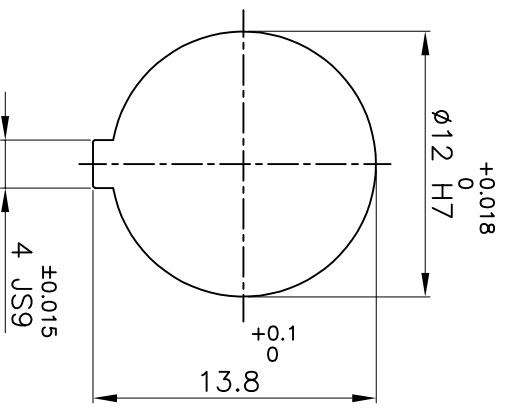
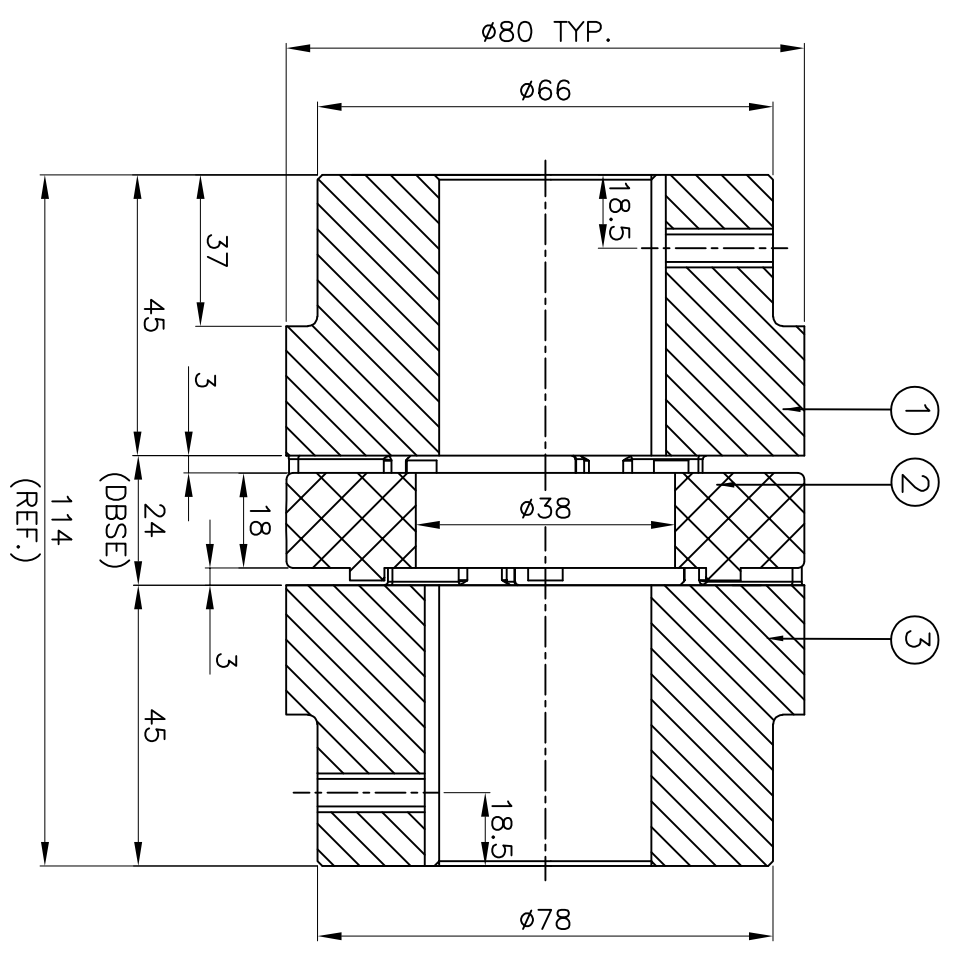


**DRIVE SIDE**



**DRIVEN SIDE**

**APPLICATION DETAILS**

APPLICATION	-
RATED POWER	- KW
RATED SPEED	- RPM
RATED TORQUE	- Nm
A.S.F.	-

**COUPLING CAPACITY**

COUPLING RATING	1.90KW AT 100RPM.
RATED TORQUE	182KNm
MAX. BORE TYPE-I & II	40 & 48mm
WEIGHT (APPROX)	2.4kg
INERTIA (WK <sup>2</sup> )	2.45X10 <sup>-3</sup> kg-m <sup>2</sup>

**MAX. MISALIGNMENT**

AXIAL	±2.2mm
ANGULAR	0.90°
PARALLEL	0.25mm

Sr NO	DESCRIPTION	MATERIAL	QTY.
3	HUB-I	C.I GR FG 260	1
2	SPIDER	POLYURETHANE (GRAY)	1
1	HUB-I	C.I GR FG 260	1

TITLE: **RRJ-38 I/II / - - - -**  
**CPLG.**  
 MATERIAL: **REFER TABLE**  
 CUSTOMER NAME: **Lovejoy**  
 AUTHORITY INITIALS: **DRG** SIGN: **DRG** DATE: **---**

REV. DWGN NO. DESCRIPTION REV. BY APPD. BY DATE  
**Lovejoy**  
**RATHI TRANSPOWER PVT LTD**  
**PUNE 411014**  
 SCALE: NTS REF. No.: **---**  
 DRG. No.: **---**  
**3 EN-F-112**