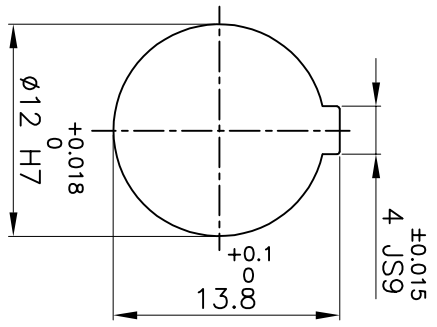


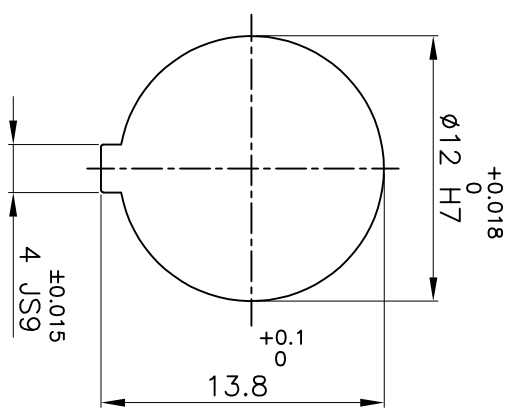
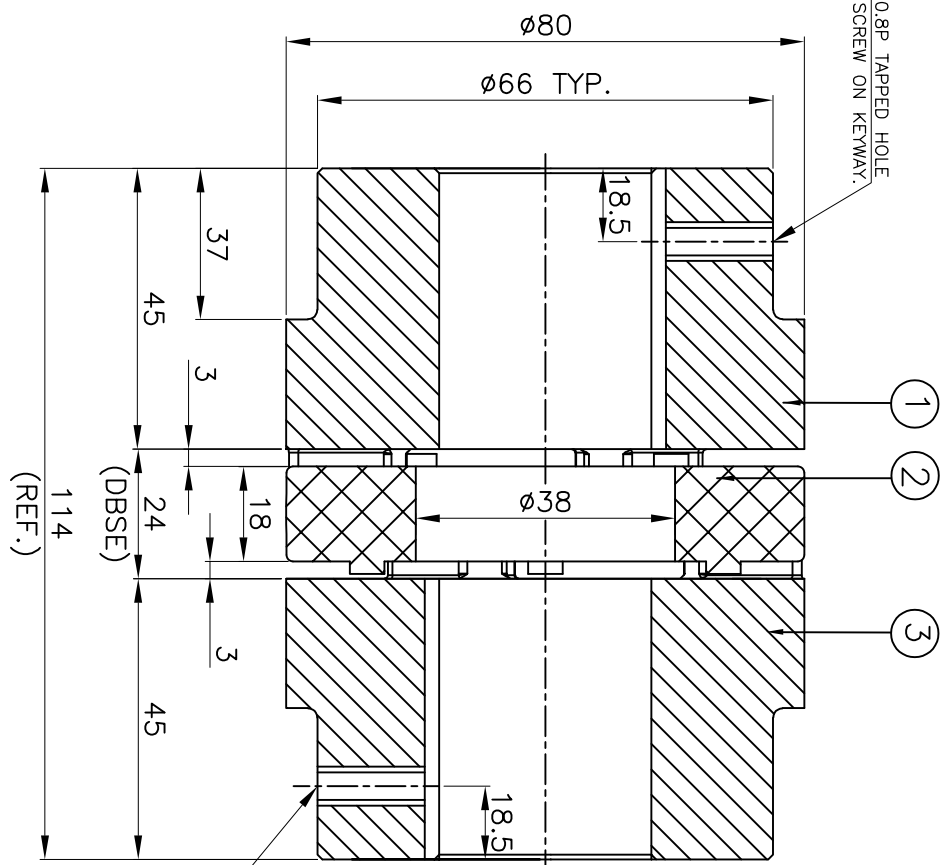
IF IN DOUBT, PLEASE ASK

DO NOT SCALE ALL DIMENSIONS ARE IN mm

J I H G F E D C B A



DRIVE SIDE



DRIVEN SIDE

(REF.)

M5X0.8P TAPPED HOLE FOR SET SCREW ON KEYWAY.

APPLICATION DETAILS

APPLICATION	-
RATED POWER	- KW
RATED SPEED	- RPM
RATED TORQUE	- kNm
A.S.F	-

COUPLING SPECIFICATIONS

COUPLING RATING	1.9 kW @ 100 RPM
RATED TORQUE	182 Nm
MAX BORE	40 mm
WEIGHT (APPROX)	2.0 Kg
INERTIA WK ² (APPROX)	1.85x10 ⁻⁵ kg-m ²

CPLG COMPONENTS DYNAMICALLY BALANCED TO GR.6.3 AS PER ISO 21940-II.
MAXIMUM MISALIGNMENTS

AXIAL DEFLECTION	±2.2 mm
ANGULAR DEFLECTION	0.90°
RADIAL DEFLECTION	0.25 mm

SERIAL NO.	DESCRIPTION	MATERIAL	QTY.
3	HUB-I	C.I GR FG 260	1
2	SPIDER	POLYURETHANE (GRAY)	1
1	HUB-I	C.I GR FG 260	1

TITLE: **RRJ-38 I/1 /-----**
 CPLG.
 MATERIAL: **REFER TABLE**
 CUSTOMER NAME: -
 AUTHORITY INITIALS: -
 DRAWN: -
 CHECKED: -
 APPROVED: -
 SCALE: N/S/REF. No.: -
 DATE: -

REV.	CHG. NO.	DESCRIPTION	REV. BY	APPD. BY	DATE

Lovejoy
 RATHI TRANSPOWER PVT LTD
 PUNE 411006
 DRG No.: **R/L-----**
 3 EN-F-112

This drawing / information / design is the property of Rathi Transpower Pvt. Ltd. It is confidential & must not be made public or copied without prior written authorization & is subjected to recall at any time. Acceptance of this drawing constitutes full agreement with these conditions