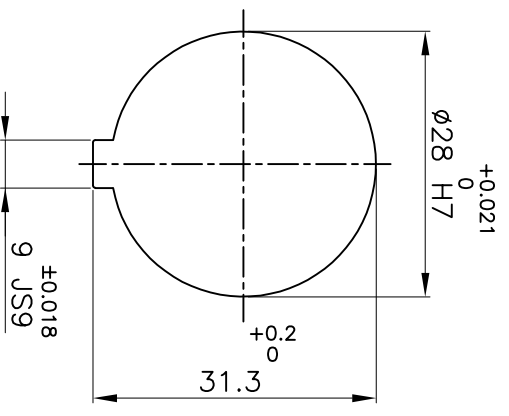
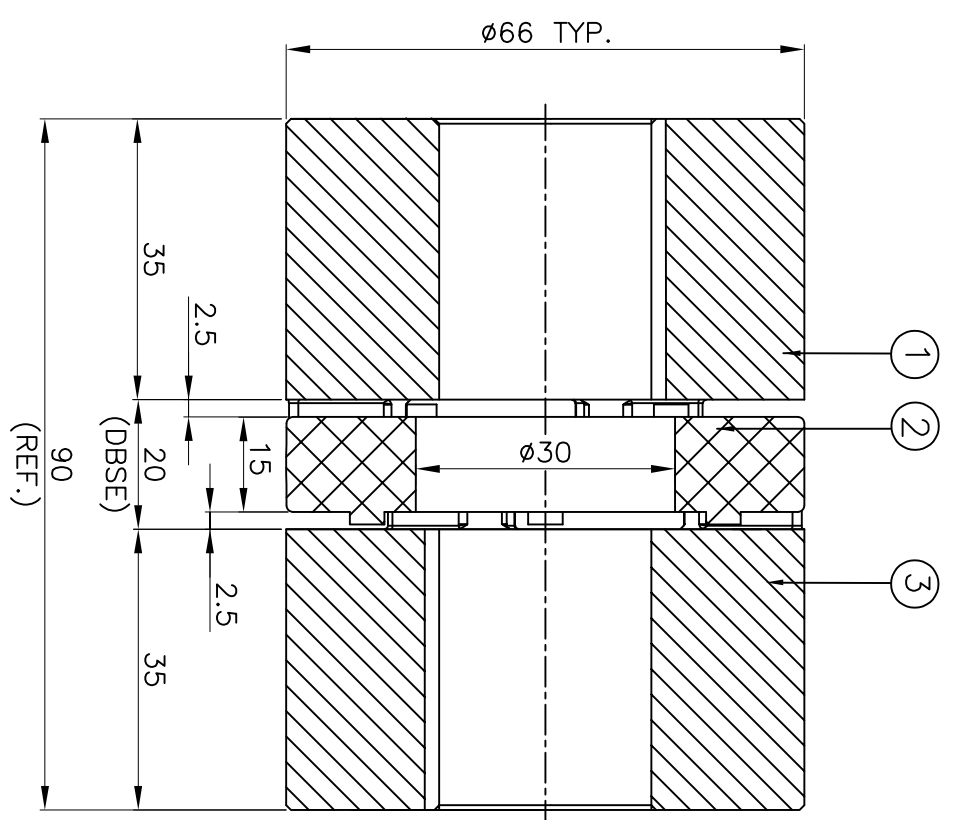


DRIVE SIDE



DRIVEN SIDE

APPLICATION DETAILS	
APPLICATION	-
RATED POWER	- KW
RATED SPEED	- RPM
RATED TORQUE	- kNm
A.S.F	-
COUPLING SPECIFICATIONS	
COUPLING RATING	0.95kW @ 100RPM
RATED TORQUE	91Nm
MAX BORE TYPE-II	38mm
WEIGHT (APPROX)	0.54kg
INERTIA WK ² (APPROX)	42x10 ⁻⁵ kg-m ²
CPLG COMPONENTS DYNAMICALLY BALANCED TO GR.6.3 AS PER ISO 21940-II.	
MAXIMUM MISALIGNMENTS	
AXIAL DEFLECTION	±2.0mm
ANGULAR DEFLECTION	0.80°
RADIAL DEFLECTION	0.20mm

REV.	DMRN NO.	DESCRIPTION	REV. BY	APPD. BY	DATE

SR NO	DESCRIPTION	MATERIAL	QTY.
3	HUB-II	LM24	1
2	SPIDER	POLYURETHANE (GRAY)	1
1	HUB-II	LM24	1

TITLE: **RRJ-28 II/II /-----**

CUSTOMER NAME: **RATHI TRANSPOWER PVT LTD**

PUNE 411014

REFER TABLE

AUTHORITY INITIALS SIGN DATE

DRAWN - - - -

CHECKED - - - -

APPROVED - - - -

SCALE: NTS REF. No.: - - - -

DRG. No.: - - - - / -

This drawing / information / design is the property of Rathi Transpower Pvt. Ltd. It is confidential & must not be made public or copied without prior written authorization & is subjected to recall at any time. Acceptance of this drawing constitutes full agreement with these conditions