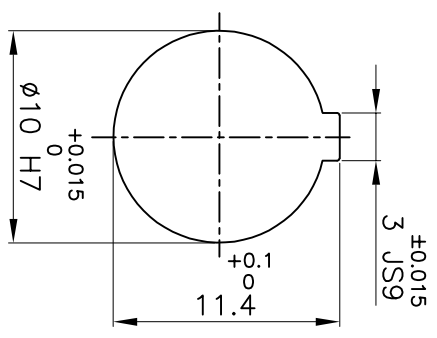
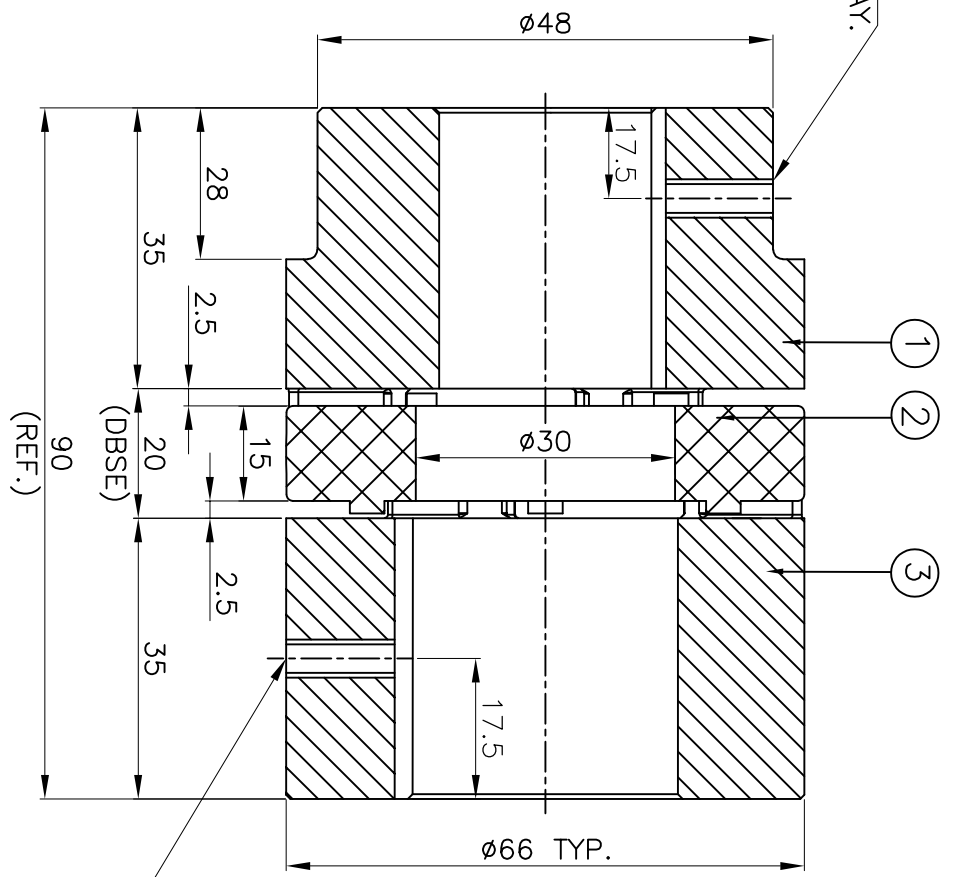


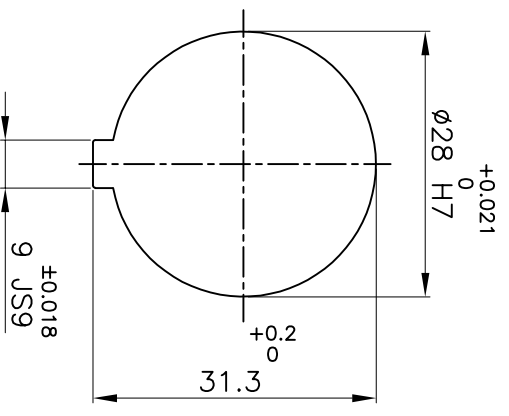
M5X0.8P TAPPED HOLE
FOR SET SCREW ON KEYWAY.



DRIVE SIDE



M6X1P TAPPED HOLE
FOR SET SCREW ON KEYWAY.



DRIVEN SIDE

APPLICATION DETAILS

APPLICATION	-
RATED POWER	- KW
RATED SPEED	- RPM
RATED TORQUE	- kNm
A.S.F	-
COUPLING SPECIFICATIONS	
COUPLING RATING	2.07kW @ 100 RPM
RATED TORQUE	197Nm
MAX BORE TYPE-III	28mm & 36mm
WEIGHT (APPROX)	0.54kg
INERTIA WK ² (APPROX)	42x10 ⁻⁵ kg-m ²
CPLG COMPONENTS DYNAMICALLY BALANCED TO GR.6.3 AS PER ISO 21940-II.	
MAXIMUM MISALIGNMENTS	
AXIAL DEFLECTION	±2.0 mm
ANGULAR DEFLECTION	0.80°
RADIAL DEFLECTION	0.20 mm

REV.	DMRN NO.	DESCRIPTION	REV. BY	APPD. BY	DATE

S/N	SR NO	DESCRIPTION	MATERIAL	QTY.
3	HUB-II	LM24		1
2	SPIDER	POLYURETHANE (LIGHT IVORY)		1
1	HUB-I	LM24		1

TITLE: **RRJ-28 I/II /-----**

CUSTOMER NAME: **REFER TABLE**

MATERIAL: **REFER TABLE**

AUTHORITY INITIALS: **---** SIGN: **---** DATE: **---**

DRAWN: **---** CHECKED: **---** APPROVED: **---**

SCALE: NTS REF: No.: **---**

DRG. No.: **-----/---**

Logjoy RATHI TRANSPOWER PVT LTD PUNE 411014