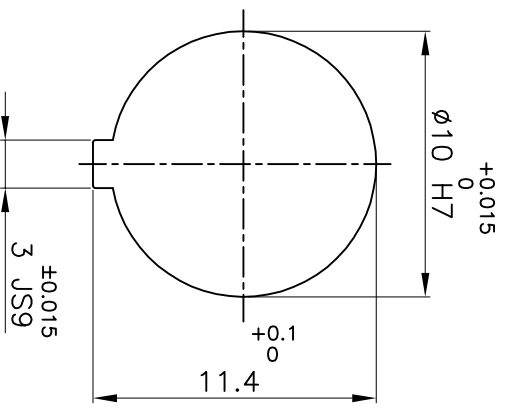
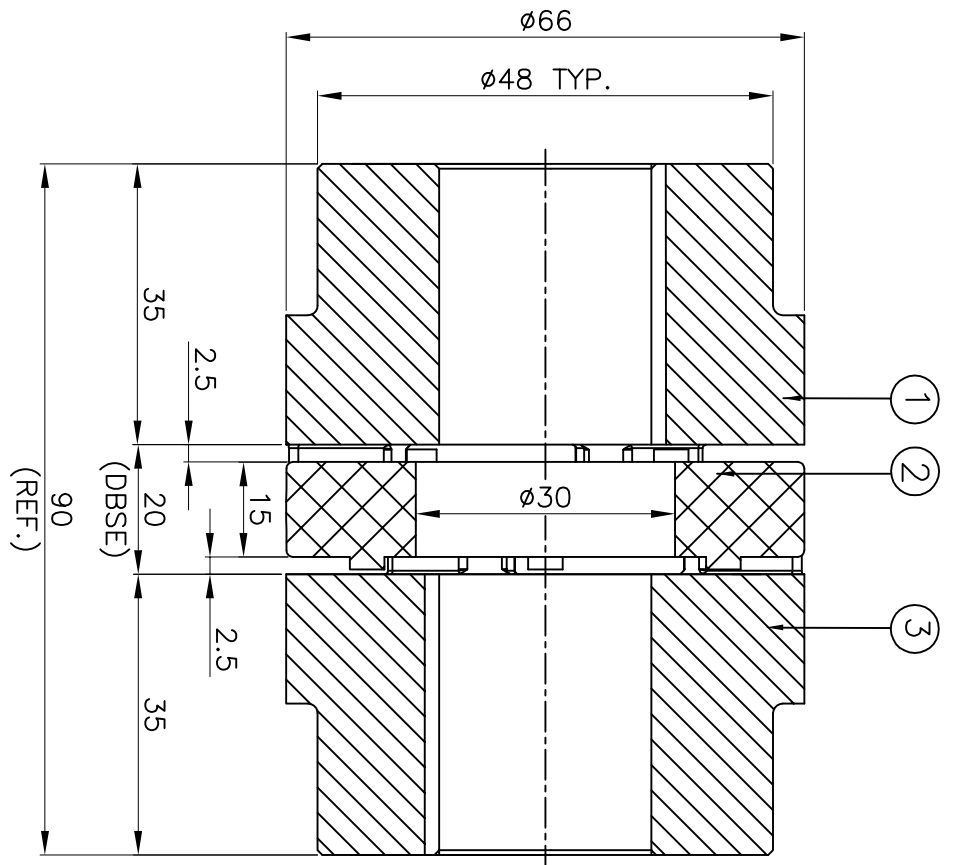


DRIVE SIDE



DRIVEN SIDE

APPLICATION DETAILS

APPLICATION	-
RATED POWER	- KW
RATED SPEED	- RPM
RATED TORQUE	- Nm
A.S.F.	-

COUPLING CAPACITY

COUPLING RATING	2.07KW AT 100RPM.
RATED TORQUE	198Nm
MAX. BORE TYPE-I	10mm
WEIGHT (APPROX)	0.39kg
INERTIA (WK ²)	20X10 ⁻⁵ kg-m ²

MAX. MISALIGNMENT

AXIAL	±2.0mm
ANGULAR	0.80°
PARALLEL	0.20mm

Sr NO	DESCRIPTION	MATERIAL	QTY.
3	HUB-I	ALUMINIUM	1
2	SPIDER	POLYURETHANE (LIGHT WORY)	1
1	HUB-I	ALUMINIUM	1

TITLE: **RRJ-28 1/1 /-----**
 CUSTOMER NAME: **CPLG.**
 MATERIAL: **REFER TABLE**

Lovejoy
 RATHI TRANSPOWER PVT LTD
 PUNE 411006
 DRG. No.: **R/L-----/-**
 3 EN-F-112