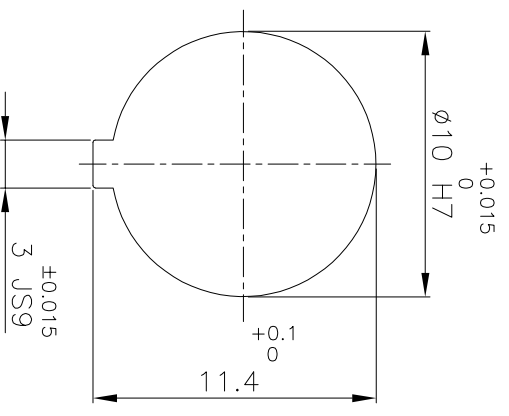
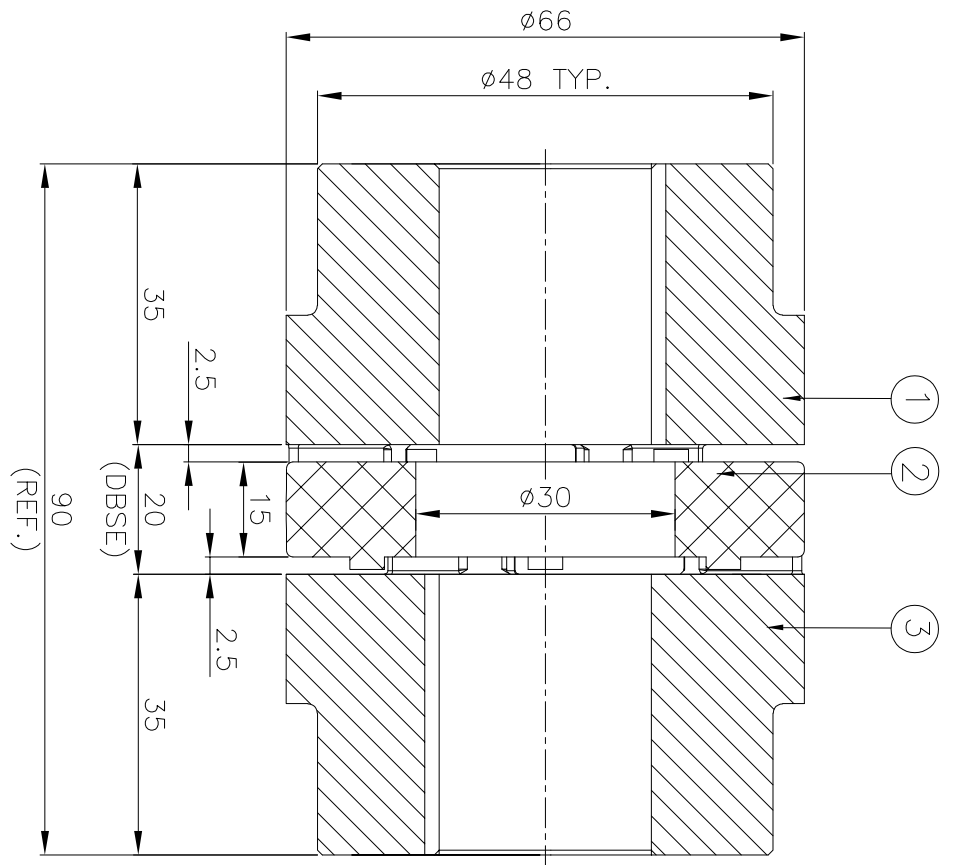


**DRIVE SIDE**



**DRIVEN SIDE**

**APPLICATION DETAILS**

APPLICATION	-
RATED POWER	- KW
RATED SPEED	- RPM
RATED TORQUE	- kNm
A.S.F	-
<b>COUPLING SPECIFICATIONS</b>	
COUPLING RATING	0.95 kW @ 100 RPM
RATED TORQUE	91 Nm
MAX BORE TYPE-1	10 mm
WEIGHT (APPROX)	0.39 Kg
INERTIA WK <sup>2</sup> (APPROX)	20x10 <sup>-5</sup> kg-m <sup>2</sup>
CPLG COMPONENTS DYNAMICALLY BALANCED TO GR.6.3 AS PER ISO 21940-II.	
<b>MAXIMUM MISALIGNMENTS</b>	
AXIAL DEFLECTION	±2.0 mm
ANGULAR DEFLECTION	0.80°
RADIAL DEFLECTION	0.20 mm

REV	DMRN NO.	DESCRIPTION	REV. BY	APPD. BY	DATE

S/R NO	DESCRIPTION	MATERIAL	QTY.
3	HUB-I	LM24	1
2	SPIDER	POLYURETHANE (GRAY)	1
1	HUB-I	LM24	1

TITLE: **RRJ-28 I/1 /-----**  
 CUSTOMER NAME: **CPLG.**  
**REFER TABLE**  
 AUTHORITY INITIALS: **---** SIGN: **---** DATE: **---**  
 DRAWN: **---** CHECKED: **---** APPROVED: **---**  
 SCALE: NTS REF. No.: **---**

**Lovejoy** **RATHI TRANSPOWER PVT LTD** **PUNE 411014** **DRG. No.: L/RRJ-----/-**

This drawing / information / design is the property of Rathi Transpower Pvt. Ltd. It is confidential & must not be made public or copied without prior written authorization & is subjected to recall at any time. Acceptance of this drawing constitutes full agreement with these conditions