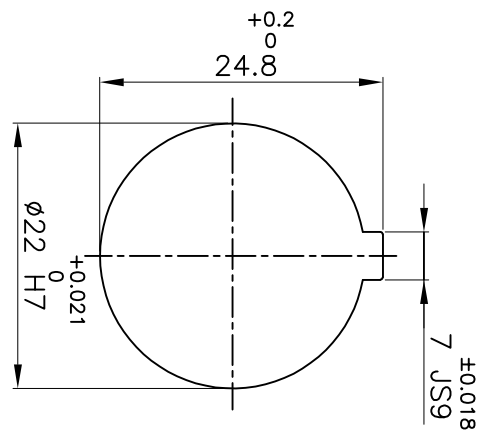
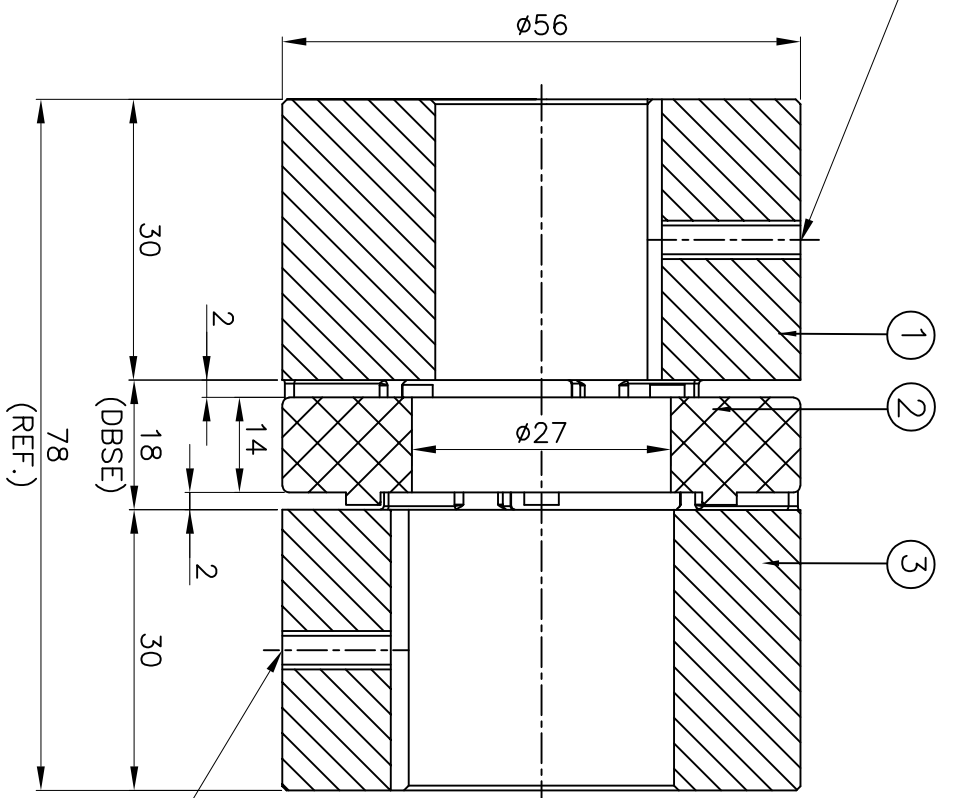


M5X0.8P TAPPED HOLE  
FOR SET SCREW ON KEYWAY.

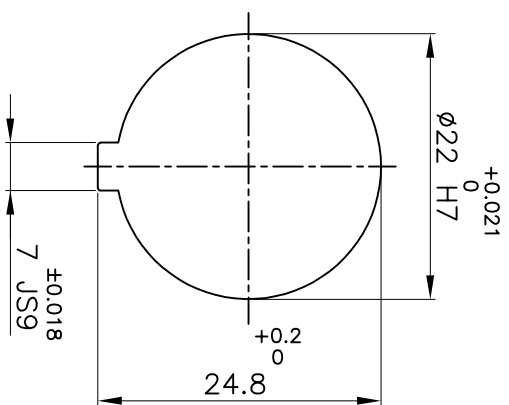


DRIVE SIDE



(DBSE)

(REF.)



DRIVEN SIDE

M5X0.8P TAPPED HOLE  
FOR SET SCREW ON KEYWAY.

APPLICATION DETAILS

APPLICATION	-
RATED POWER	- KW
RATED SPEED	- RPM
RATED TORQUE	- kNm
A.S.F	-

COUPLING SPECIFICATIONS

COUPLING RATING	0.80kW @ 100RPM
RATED TORQUE	76Nm
MAX BORE TYPE-II	28mm
WEIGHT (APPROX)	0.34kg
INERTIA WK <sup>2</sup> (APPROX)	19X10 <sup>-5</sup> kg-m <sup>2</sup>

CPLG COMPONENTS DYNAMICALLY  
BALANCED TO GR.6.3 AS PER ISO 21940-II.  
**MAXIMUM MISALIGNMENTS**

AXIAL DEFLECTION	±1.8mm
ANGULAR DEFLECTION	0.80°
RADIAL DEFLECTION	0.20mm

SER NO	DESCRIPTION	MATERIAL	QTY.
3	HUB-II	ALUMINIUM	1
2	SPIDER	POLYURETHANE (LIGHT LVORY)	1
1	HUB-II	ALUMINIUM	1

TITLE: **RRJ-24 II/II /-----**  
 CUSTOMER NAME: **CPLG.**  
 MATERIAL: **REFER TABLE**  
 AUTHORITY INITIALS: **DRWN** **CHKD** **APPRD**  
 SCALE: NTS REF: No.:

REV. DWGN NO. DESCRIPTION REV. BY APPD. BY DATE  
 RATHI TRANSPOWER PVT LTD  
 PUNE 411014  
 DRG. No.: **R/L-----/-**  
 3 EN-F-112