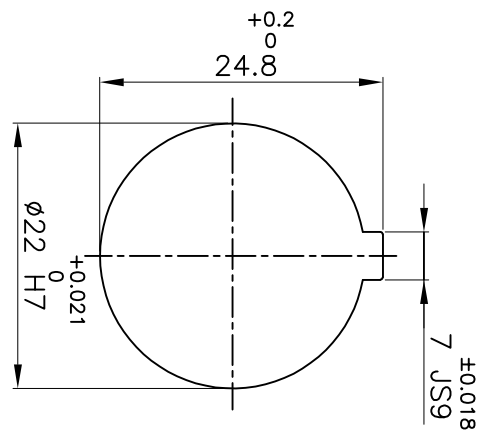
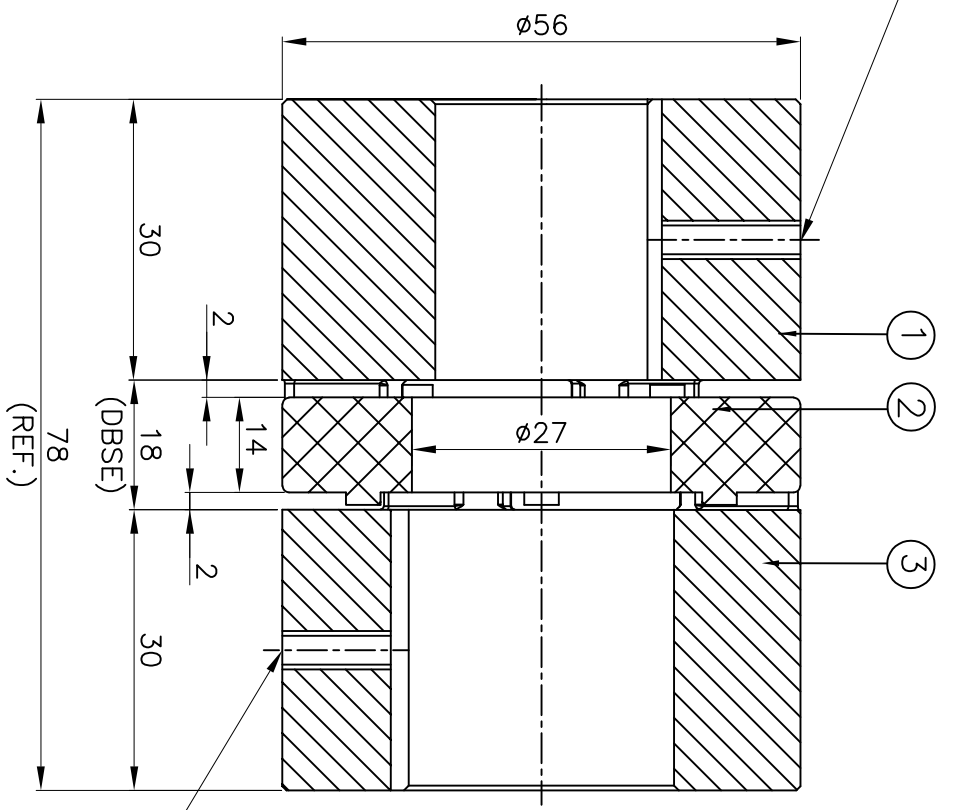


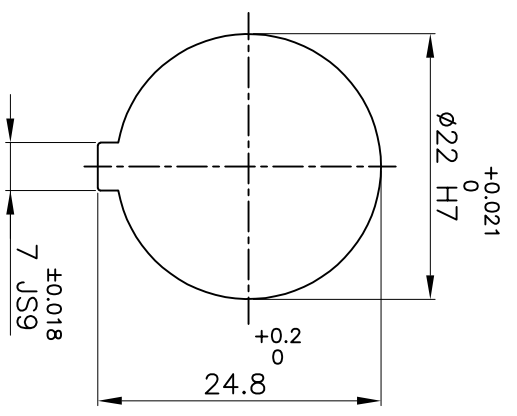
M5X0.8P TAPPED HOLE
FOR SET SCREW ON KEYWAY.



DRIVE SIDE



DRIVEN SIDE



M5X0.8P TAPPED HOLE
FOR SET SCREW ON KEYWAY.

APPLICATION DETAILS

APPLICATION	-
RATED POWER	- KW
RATED SPEED	- RPM
RATED TORQUE	- kNm
A.S.F	-

COUPLING SPECIFICATIONS

COUPLING RATING	0.35kW @ 100RPM
RATED TORQUE	33Nm
MAX BORE TYPE-II	28mm
WEIGHT (APPROX)	0.34kg
INERTIA WK ² (APPROX)	19X10 ⁻⁵ kg-m ²
CPLG COMPONENTS DYNAMICALLY BALANCED TO GR.6.3 AS PER ISO 21940-II.	
MAXIMUM MISALIGNMENTS	
AXIAL DEFLECTION	±1.8mm
ANGULAR DEFLECTION	0.80°
RADIAL DEFLECTION	0.20 mm

SER NO	DESCRIPTION	MATERIAL	QTY.
3	HUB-II	LM24	1
2	SPIDER	POLYURETHANE (GRAY)	1
1	HUB-II	LM24	1

TITLE: **RRJ-24 II/II /-----**
 CUSTOMER NAME: **CPLG.**
 MATERIAL: **REFER TABLE**
 AUTHORITY INITIALS: **---** SIGN: **---** DATE: **---**
 DRAWN: **---** CHECKED: **---** APPROVED: **---**
 SCALE: NTS REF: No.: **---**

REV. DWGN NO. DESCRIPTION REV. BY APPD. BY DATE
 RATHI TRANSPOWER PVT LTD
 PUNE 411014
 DRG. No.: **R/L-----/-**
 3 EN-F-112