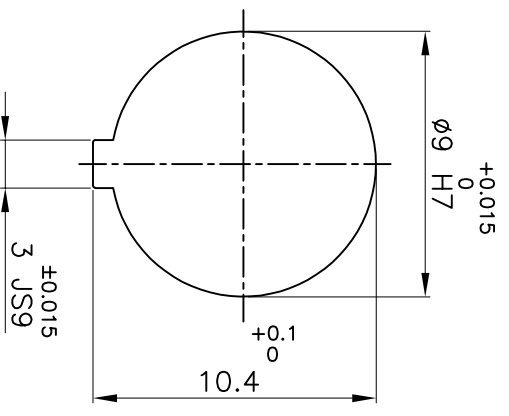
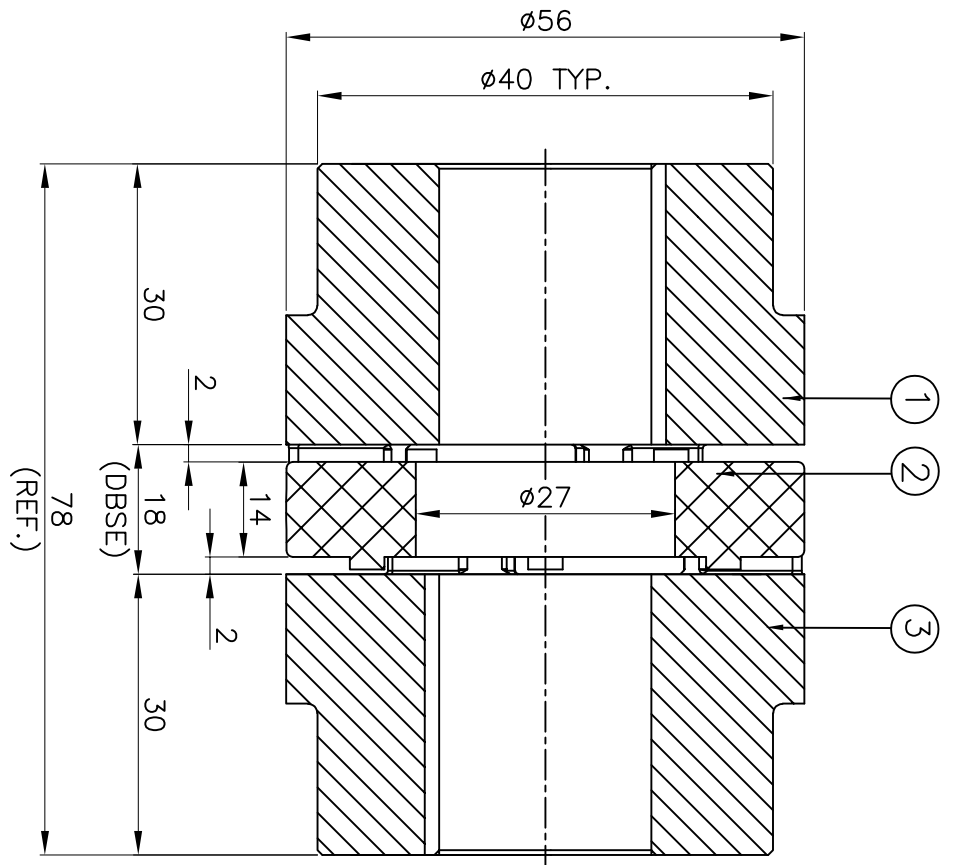


**DRIVE SIDE**



**DRIVEN SIDE**

**APPLICATION DETAILS**

APPLICATION	-
RATED POWER	- KW
RATED SPEED	- RPM
RATED TORQUE	- kNm
A.S.F	-
<b>COUPLING SPECIFICATIONS</b>	
COUPLING RATING	0.65 kW @ 100 RPM
RATED TORQUE	62 Nm
MAX BORE TYPE-1	9 mm
WEIGHT (APPROX)	0.24 Kg
INERTIA $W_k^2$ (APPROX)	$9 \times 10^{-5} \text{ kg-m}^2$
CPLG COMPONENTS DYNAMICALLY BALANCED TO GR.6.3 AS PER ISO 21940-II.	
<b>MAXIMUM MISALIGNMENTS</b>	
AXIAL DEFLECTION	$\pm 1.8 \text{ mm}$
ANGULAR DEFLECTION	0.80°
RADIAL DEFLECTION	0.2 mm

REV.	DMRN NO.	DESCRIPTION	REV. BY	APPD. BY	DATE

SR NO	DESCRIPTION	MATERIAL	QTY.
3	HUB-I	LM24	1
2	SPIDER	POLYURETHANE (BLUE)	1
1	HUB-I	LM24	1

TITLE: **RRJ-24 1/1 /-----**

CUSTOMER NAME: **RATHI TRANSPOWER PVT LTD**

PUNE 411006

MATERIAL: **REFER TABLE**

AUTHORITY	INITIALS	SIGN	DATE
DRAWN	-	-	-
CHECKED	-	-	-
APPROVED	-	-	-

SCALE: NTS REF. No.: **DRG. No.: -----/-**

This drawing / information / design is the property of Rathi Transpower Pvt. Ltd. It is confidential & must not be made public or copied without prior written authorization & is subjected to recall at any time. Acceptance of this drawing constitutes full agreement with these conditions