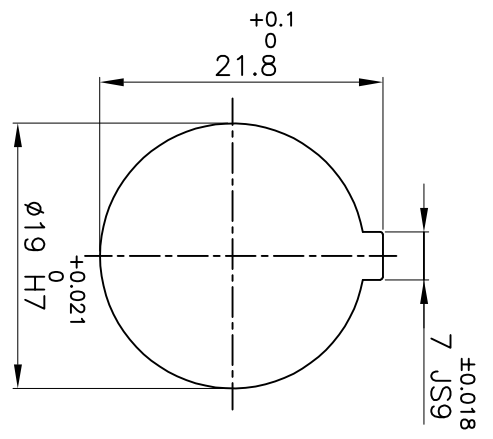
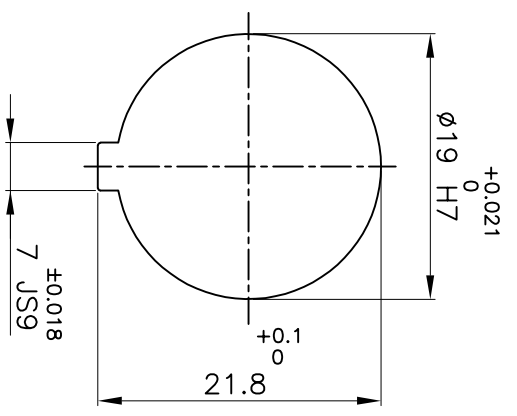
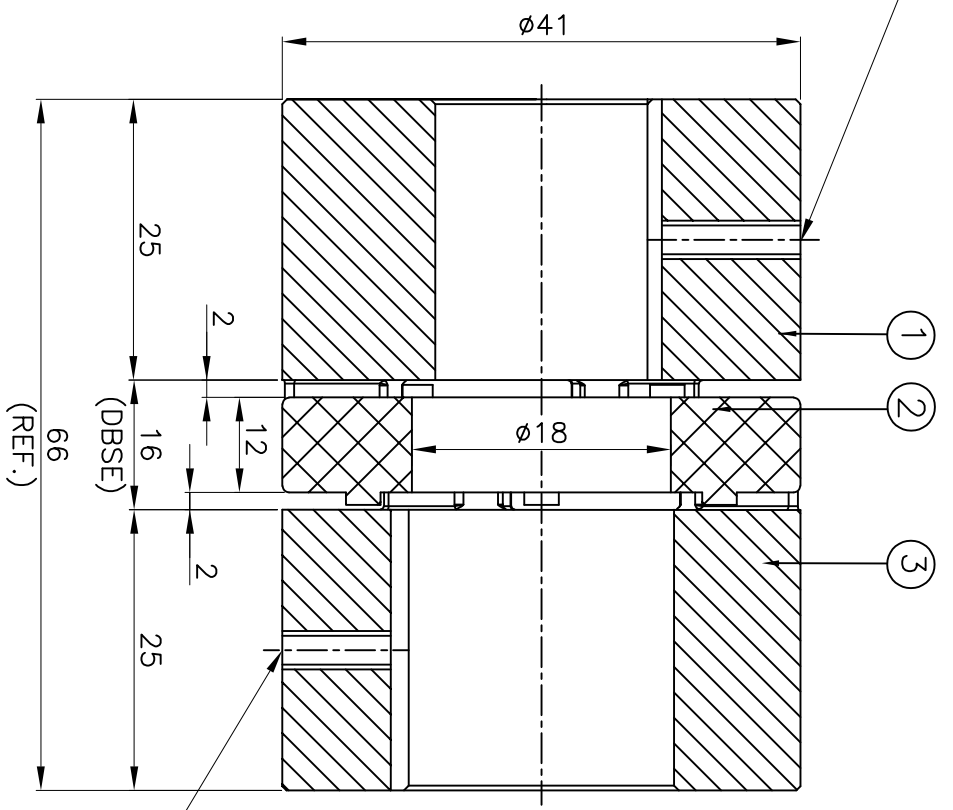


M5X0.8P TAPPED HOLE
FOR SET SCREW ON KEYWAY.



DRIVE SIDE



DRIVEN SIDE

M5X0.8P TAPPED HOLE
FOR SET SCREW ON KEYWAY.

APPLICATION DETAILS

APPLICATION	-
RATED POWER	- KW
RATED SPEED	- RPM
RATED TORQUE	- kNm
A.S.F	-

COUPLING SPECIFICATIONS

COUPLING RATING	0.22kW @ 100RPM
RATED TORQUE	21Nm
MAX BORE TYPE-II	24mm
WEIGHT (APPROX)	0.14 Kg
INERTIA WK ² (APPROX)	4.3x10 ⁻⁵ kg-m ²

CPLG COMPONENTS DYNAMICALLY BALANCED TO GR.6.3 AS PER ISO 21940-II.	
MAXIMUM MISALIGNMENTS	
AXIAL DEFLECTION	±1.6 mm
ANGULAR DEFLECTION	0.80°
RADIAL DEFLECTION	0.15 mm

SERIAL NO	DESCRIPTION	MATERIAL	QTY.
3	HUB-II	LM24	1
2	SPIDER	POLYURETHANE(LIGHT LVORY)	1
1	HUB-II	LM24	1

TITLE: **RRJ-19 II/II /-----**
 CUSTOMER NAME: **CPLG.**
 MATERIAL: **REFER TABLE**

APPROVED: _____
 CHECKED: _____
 SCALE: NTS REF: No.: _____
 DRAWN: _____
 AUTHORITY INITIALS: _____
 SIGN: _____
 DATE: _____

REV. DWGN NO. DESCRIPTION REV. BY APPD. BY DATE