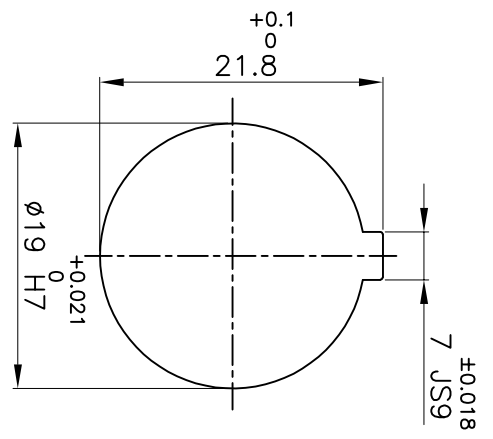
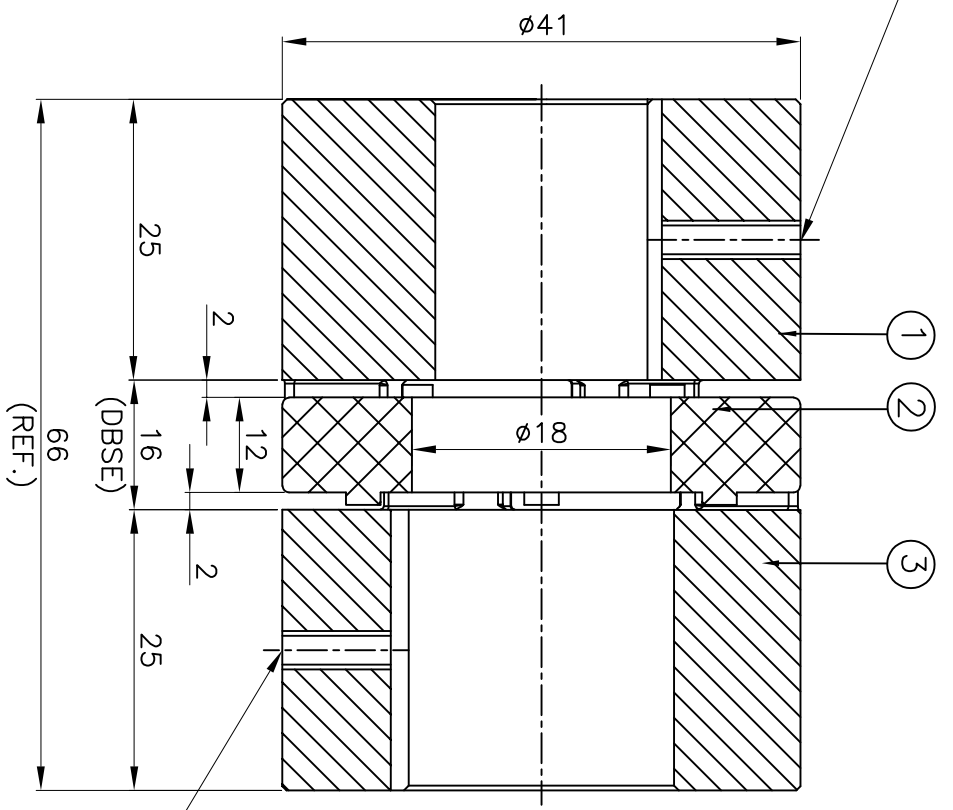


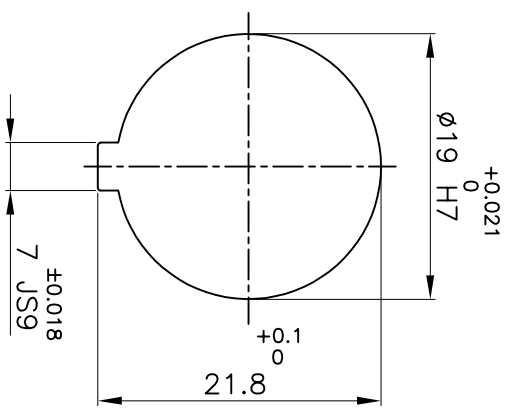
M5X0.8P TAPPED HOLE
FOR SET SCREW ON KEYWAY.



DRIVE SIDE



(DBSE)
(REF.)



DRIVEN SIDE

M5X0.8P TAPPED HOLE
FOR SET SCREW ON KEYWAY.

APPLICATION DETAILS

APPLICATION	-
RATED POWER	- KW
RATED SPEED	- RPM
RATED TORQUE	- kNm
A.S.F	-

COUPLING SPECIFICATIONS

COUPLING RATING	0.18 kW @ 100 RPM
RATED TORQUE	18 Nm
MAX BORE TYPE-II	24mm
WEIGHT (APPROX)	0.14 Kg
INERTIA WK ² (APPROX)	4.3x10 ⁻⁵ kg-m ²

CPLG COMPONENTS DYNAMICALLY
BALANCED TO GR.6.3 AS PER ISO 21940-II.
MAXIMUM MISALIGNMENTS

AXIAL DEFLECTION	±1.6 mm
ANGULAR DEFLECTION	0.80°
RADIAL DEFLECTION	0.15 mm

SER NO	DESCRIPTION	MATERIAL	QTY.
3	HUB-II	LM24	1
2	SPIDER	POLYURETHANE (BLUE)	1
1	HUB-II	LM24	1

TITLE: **RRJ-19 II/II /-----**
CPLG.
REFER TABLE
CUSTOMER NAME: -
MATERIAL: -
AUTHORITY INITIALS: -
SIGN: -
DATE: -
DRAWN: -
CHECKED: -
APPROVED: -
SCALE: NTS/REF: No.: -
DRG. No.: -

REV. DWGN NO. DESCRIPTION REV. BY APPD. BY DATE
RATHI TRANSPOWER PVT LTD
PUNE 411014
R/L-----/-
3 EN-F-112