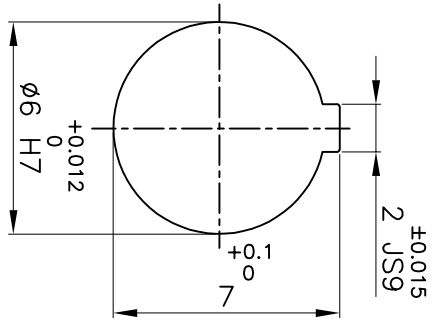


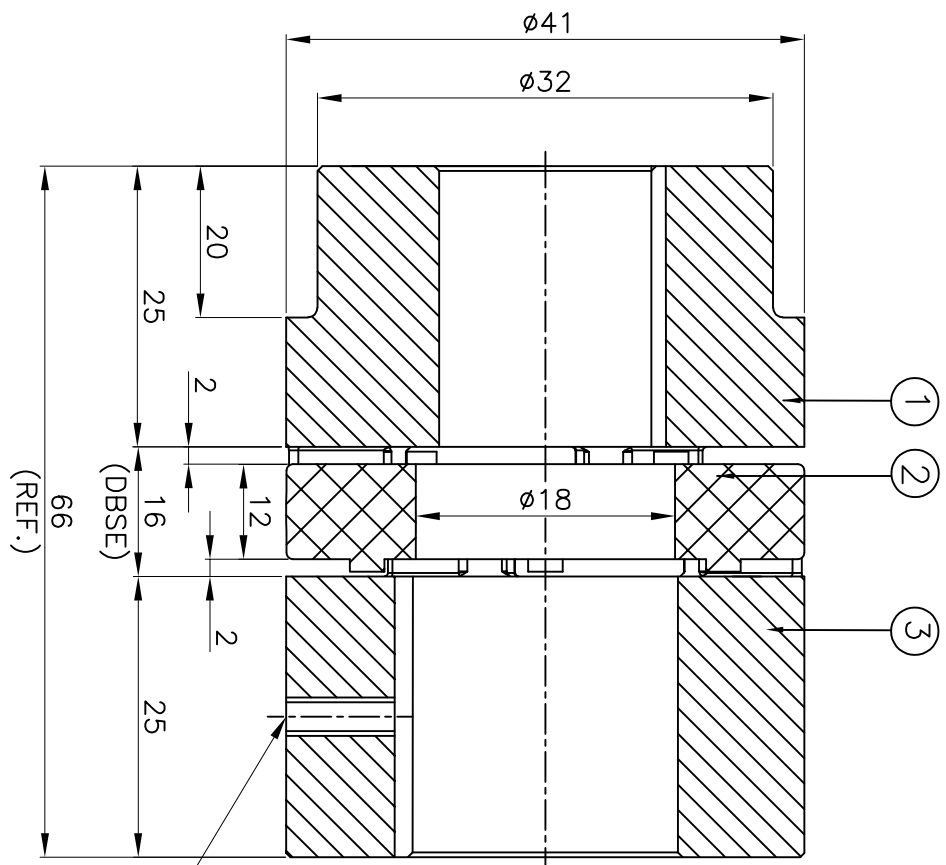
IF IN DOUBT, PLEASE ASK

DO NOT SCALE ALL DIMENSIONS ARE IN mm

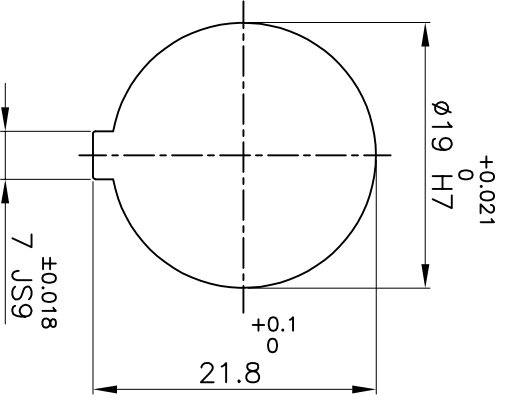
J I H G F E D C B A



DRIVE SIDE



DRIVEN SIDE



M5X0.8P TAPPED HOLE
FOR SET SCREW ON KEYWAY.

APPLICATION DETAILS

APPLICATION	-
RATED POWER	- KW
RATED SPEED	- RPM
RATED TORQUE	- kNm
A.S.F	-

COUPLING SPECIFICATIONS

COUPLING RATING	0.22kW @ 100 RPM
RATED TORQUE	21Nm
MAX BORE TYPE-I&II	19mm & 24mm
WEIGHT (APPROX)	0.11kg
INERTIA Wk^2 (APPROX)	2.3×10^{-5} kg-m ²
CP LG COMPONENTS DYNAMICALLY BALANCED TO GR.6.3 AS PER ISO 21940-II.	
MAXIMUM MISALIGNMENTS	
AXIAL DEFLECTION	±1.6 mm
ANGULAR DEFLECTION	0.80°
RADIAL DEFLECTION	0.15 mm

SR NO	DESCRIPTION	MATERIAL	QTY.
3	HUB-II	LM24	1
2	SPIDER	POLYURETHANE (LIGHT WORY)	1
1	HUB-I	LM24	1

TITLE: **RRJ-19 I/II /-----**
 CUSTOMER NAME: **CP LG.**
 MATERIAL: **REFER TABLE**
 AUTHORITY INITIALS: **DATE**

REV. DWRN NO.	DESCRIPTION	REV. BY	APPD. BY	DATE

REV. DWRN NO.	DESCRIPTION	REV. BY	APPD. BY	DATE

DRG. No.: **R/L-----/-**
 RATHI TRANSPOWER PVT LTD
 PUNE 411014
 3 EN-F-112

This drawing / information / design is the property of Rathi Transpower Pvt. Ltd. It is confidential & must not be made public or copied without prior written authorization & is subjected to recall at any time. Acceptance of this drawing constitutes full agreement with these conditions