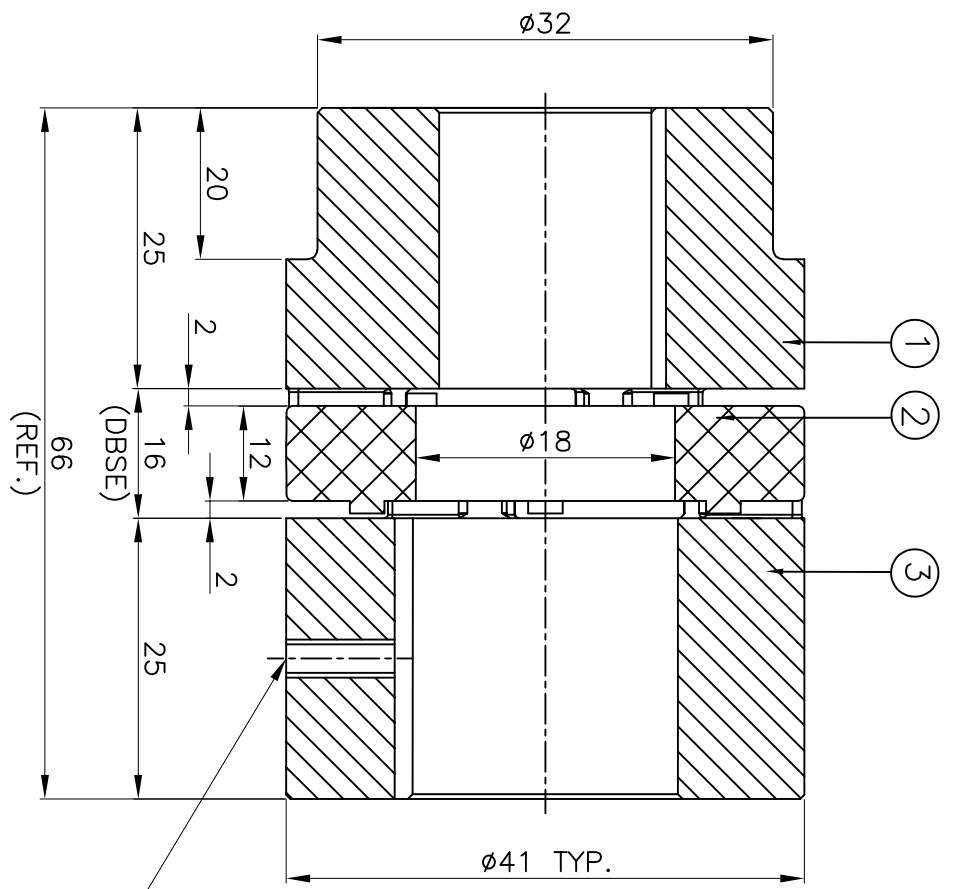
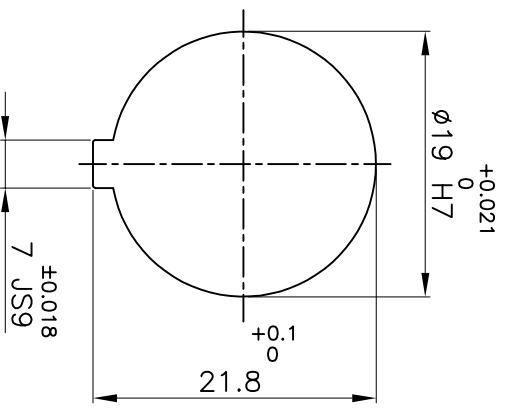


DRIVE SIDE



DRIVEN SIDE



M5X0.8P TAPPED HOLE
FOR SET SCREW ON KEYWAY.

APPLICATION DETAILS

APPLICATION	-
RATED POWER	- KW
RATED SPEED	- RPM
RATED TORQUE	- kNm

COUPLING SPECIFICATIONS

COUPLING RATING	0.1kW @ 100 RPM
RATED TORQUE	10Nm
MAX BORE TYPE-III	19mm & 24mm
WEIGHT (APPROX)	0.14 Kg
INERTIA WK ² (APPROX)	4.3x10 ⁻⁵ kg-m ²

CPLG COMPONENTS DYNAMICALLY
BALANCED TO GR.6.3 AS PER ISO 21940-II.
MAXIMUM MISALIGNMENTS

AXIAL DEFLECTION	±1.6 mm
ANGULAR DEFLECTION	0.80°
RADIAL DEFLECTION	0.15 mm

Sr NO	DESCRIPTION	MATERIAL	QTY.
3	HUB-II	LM24	1
2	SPIDER	POLYURETHANE (GRAY)	1
1	HUB-I	LM24	1

TITLE: **RRJ-19 I/II / - - - -**

CUSTOMER NAME: **REFER TABLE**

MATERIAL: **REFER TABLE**

REV/	DMRN NO.	DESCRIPTION	REV. BY	APPD. BY	DATE

Lovejoy

RATHI TRANSPOWER PVT LTD
PUNE 411014

DRG. No.: -----/-----