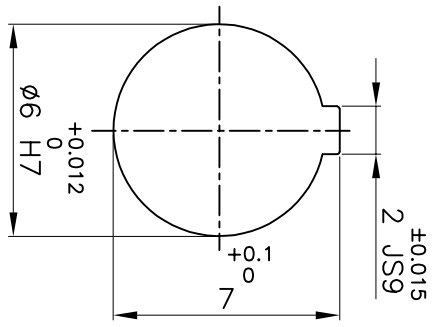


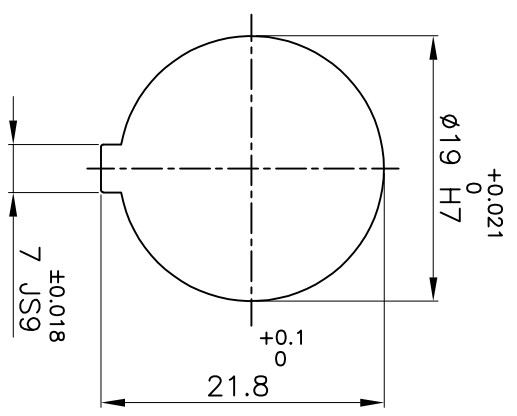
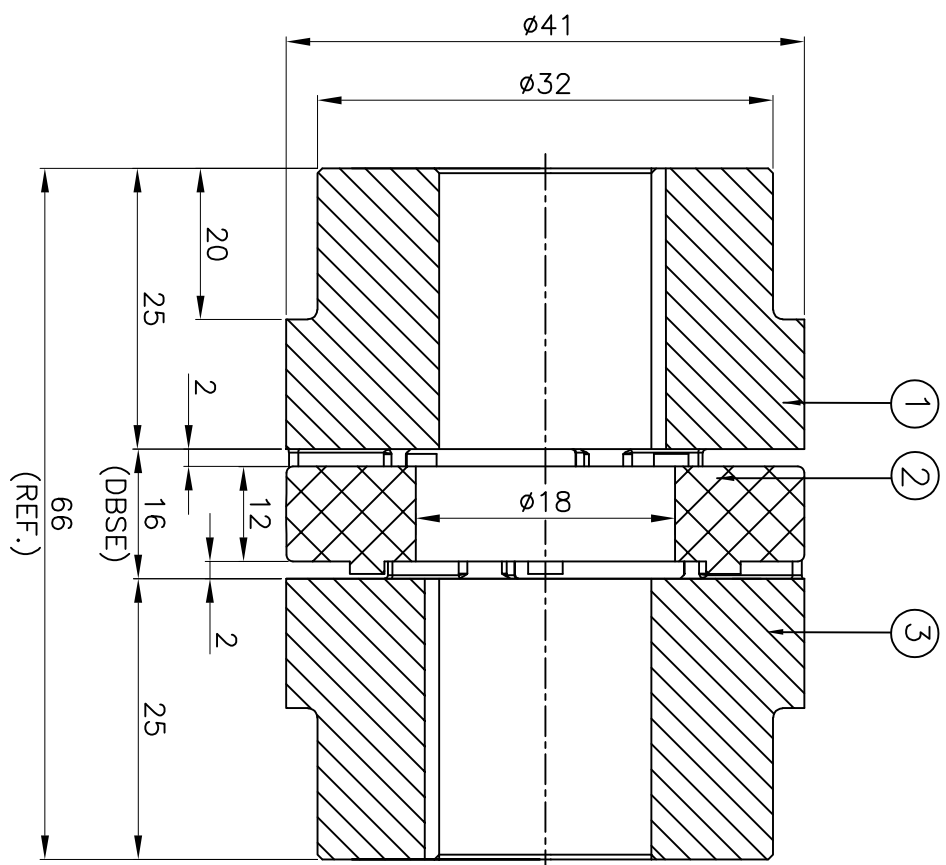
IF IN DOUBT, PLEASE ASK

DO NOT SCALE ALL DIMENSIONS ARE IN mm

J I H G F E D C B A



DRIVE SIDE



DRIVEN SIDE

APPLICATION DETAILS

APPLICATION	-
RATED POWER	- KW
RATED SPEED	- RPM
RATED TORQUE	- kNm
A.S.F	-

COUPLING SPECIFICATIONS

COUPLING RATING	0.1 kW @ 100 RPM
RATED TORQUE	10 Nm
MAX BORE	19 mm
WEIGHT (APPROX)	0.11 kg
INERTIA Wk^2 (APPROX)	2.3×10^{-5} kg-m ²

CPLG COMPONENTS DYNAMICALLY BALANCED TO GR.6.3 AS PER ISO 21940-II.
MAXIMUM MISALIGNMENTS

AXIAL DEFLECTION	± 1.6 mm
ANGULAR DEFLECTION	0.80°
RADIAL DEFLECTION	0.15 mm

S/R NO	DESCRIPTION	MATERIAL	QTY.
3	HUB-II	LM24	1
2	SPIDER	POLYURETHANE (GRAY)	1
1	HUB-I	LM24	1

TITLE: **RRJ-19 I/1 /-----**
 CPLG.
 CUSTOMER NAME: -
 MATERIAL: **REFER TABLE**

Lovejoy
 RATHI TRANSPOWER PVT LTD
 PUNE 411006
 Dwg No.: **R/L-----/-**
 AUTHORITY INITIALS SIGN DATE
 DRAWN -
 CHECKED -
 APPROVED -
 SCALE: N/S/REF. No.: -