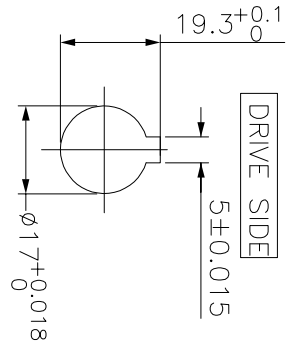


IF IN DOUBT, PLEASE ASK

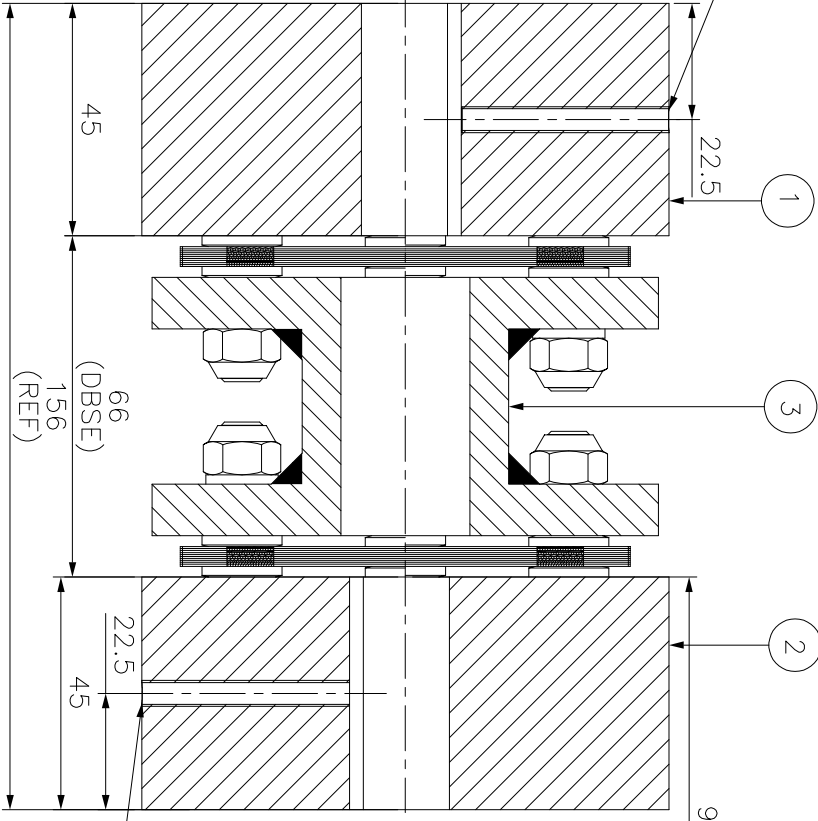
DO NOT SCALE

ALL DIMENSIONS ARE IN mm

J	I	H	G	F	E	D	C	B	A
ERP CODE:									

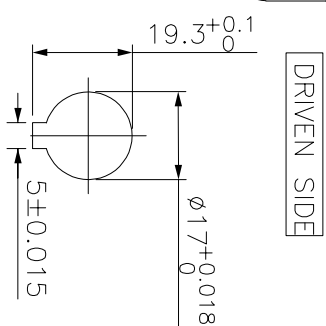


Ø102 (TYP)



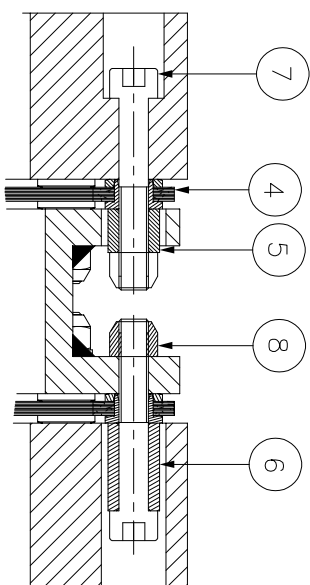
66 (DBSE)  
156 (REF)

M5 SET SCREW ON KEYWAY.



APPLICATION DETAILS	
RATED POWER	-
RATED SPEED	-
RATED TORQUE	-
A.S.F.	-
COUPLING SPECIFICATIONS	
COUPLING RATING	6.5 KW @ 100 RPM
RATED TORQUE	621 Nm
PEAK TORQUE	1236 Nm
SHORT CIRCUIT TORQUE	2163 Nm
MAX. BORE	50 mm
WEIGHT (Approx.)	6.710 kg
INERTIA (WK <sup>2</sup> )	0.0086 kg·M <sup>2</sup>
CPUG DYNAMIC BALANCED TO GR 6.3 AS PER ISO 21940-11	
MAX. MISALIGNMENT	
AXIAL DEFLECTION	±1 mm
ANGULAR DEFLECTION	0.75° PER STACK
RADIAL MISALIGNMENT	0.013 mm

NOTE- TIGHTENING TORQUE FOR SR. NO. 7=29Nm



SR.NO.	DESCRIPTION	MATERIAL	QTY.
1	DRIVE HUB (II)	ASTM A 1040	1
2	DRIVEN HUB (II)	ASTM A 1040	1
3	SPACER	ASTM A1068/ASTM A36 ASTM A1040	1
4	ELEMENT BLADE ASSEMBLY	ASTM A 1040	2
5	SLEEVE (I)	ASTM A 1040	6
6	SLEEVE (II)	ASTM A 1040	6
7	COUPLING BOLT (II)	AH GR. 12.9	12
8	CLEV LOCK NUT	GR. 10	12

REV.	PNR/NO.	DESCRIPTION	REV. BY	APRD. BY	DATE

TITLE:	RLM-99(66) I/II/-----	MATERIAL:	AUTHORITY INITIALS	DATE
CUSTOMER NAME:	COUPLING	REFER TABLE	DRAWN	
			CHECKED	
			APPROVED	
			SCALE: NTS/REF. No.:	

RATHI TRANSPOWER PVT LTD  
PUNE 411014  
L/RLM-XXXX/0

3 EN-F-112-Rev1

This drawing/ information/ design is the property of Rathi Transpower Pvt. Ltd. It is confidential & must not be made public or copied without prior written authorization & is subjected to recall at any time. Acceptance of this drawing constitutes full arrangements with these conditions.