

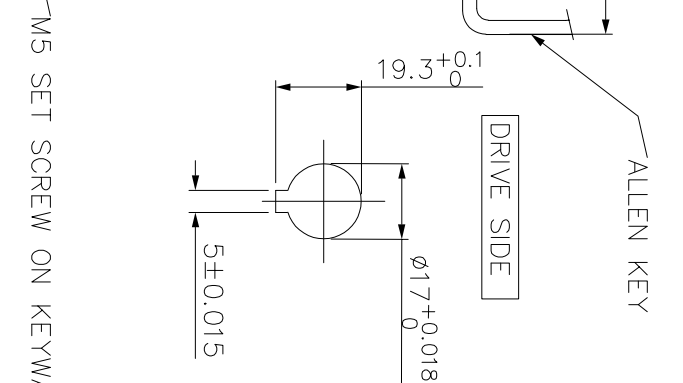
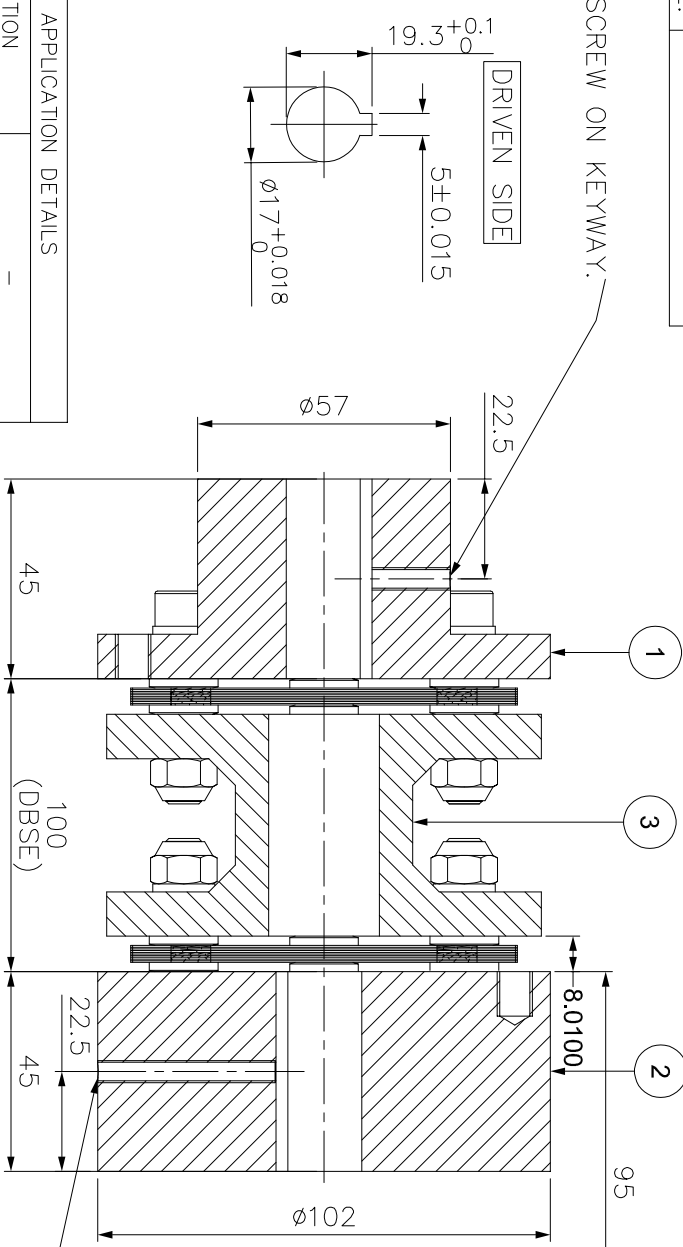
IF IN DOUBT, PLEASE ASK

DO NOT SCALE ALL DIMENSIONS ARE IN mm

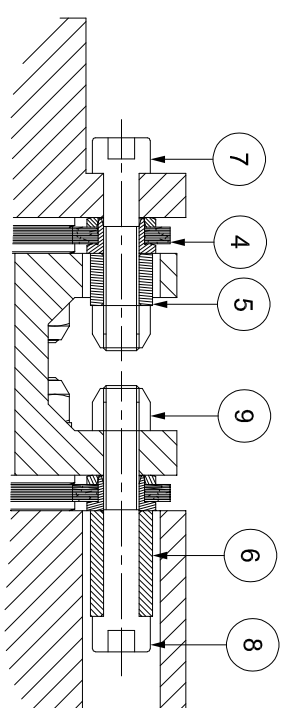
J I H G F E D C B A

ERP CODE:

M5 SET SCREW ON KEYWAY.



APPLICATION	-
RATED POWER	-
RATED SPEED	-
RATED TORQUE	-
A.S.F.	-
COUPLING SPECIFICATIONS	
COUPLING RATING	6.5 KW @ 100 RPM
RATED TORQUE	621 Nm
PEAK TORQUE	1236 Nm
SHORT CIRCUIT TORQUE	2163 Nm
MAX. BORE	HUB (I)-40 mm HUB (II)-50 mm
WEIGHT (Approx.)	5.446 kg
INERTIA (WK ²)	0.00634 kg.M ²
CPLG DYNAMIC BALANCED TO GR 6.3 AS PER ISO 21940-11	
MAX. MISALIGNMENT	
AXIAL DEFLECTION	±1 mm
ANGULAR DEFLECTION	0.75° PER STACK
RADIAL MISALIGNMENT	0.013 mm



NOTE - TIGHTENING TORQUE FOR SR. NO.7, 8=29Nm

9	CLEV LOCK NUT	GR. 10	12
8	COUPLING BOLT (II)	AH GR. 12.9	6
7	COUPLING BOLT (I)	AH GR. 12.9	6
6	SLEEVE (II)	ASTM A 1040	3
5	SLEEVE (I)	ASTM A 1040	9
4	ELEMENT BLADE ASSEMBLY SPACER	ASTM A106B,ASTM A36\ ASTM A1040	2
2	DRIVE HUB (II)	ASTM A 1040	1
1	DRIVEN HUB (I)	ASTM A 1040	1

REV	DMRN NO.	DESCRIPTION	REV.	BY	APPD.	BY	DATE

TITLE: RUM-95(100)/II /XXX CPLG.

CUSTOMER NAME: RATHI TRANSPOWER PVT LTD PUNE-411014

SCALE: NTS

REF. NO.

APPROVED

CHECKED

DRAWN

AUTHORITY INITIALS

SIGN

DATE

DRG. NO.: L/RUM-XXXX/0