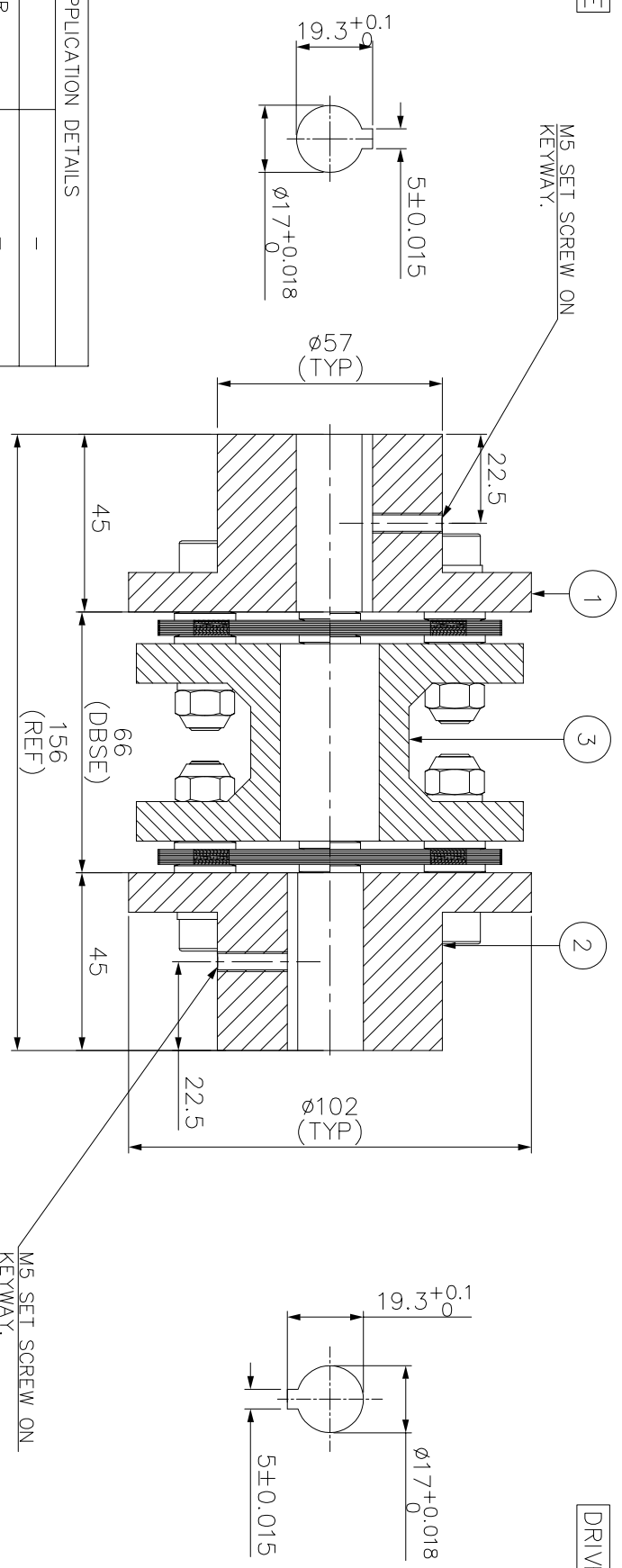


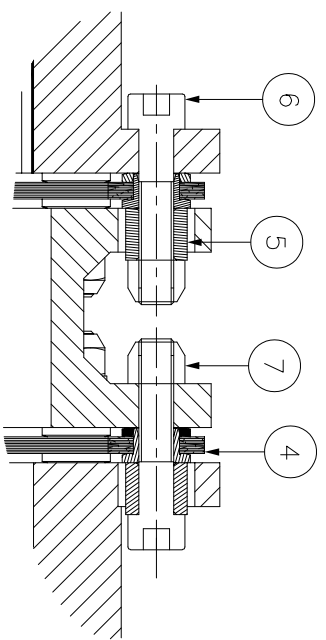
ERP CODE:	
-----------	--

DRIVE SIDE

DRIVEN SIDE



APPLICATION DETAILS	
APPLICATION	-
RATED POWER	-
RATED SPEED	-
RATED TORQUE	-
A.S.F.	-
COUPLING SPECIFICATIONS	
COUPLING RATING	6.5 KW @ 100 RPM
RATED TORQUE	621 Nm
PEAK TORQUE	1236 Nm
SHORT CIRCUIT TORQUE	2163 Nm
MAX. BORE	40 mm
WEIGHT (Approx.)	4.189 kg
INERTIA (WK ²)	0.0041 kg·M ²
CPLG DYNAMIC BALANCED TO GR 6.3 AS PER ISO 21940-11	
MAX. MISALIGNMENT	
AXIAL DEFLECTION	±1 mm
ANGULAR DEFLECTION	0.75° PER STACK
RADIAL MISALIGNMENT	0.013mm



NOTE- TIGHTENING TORQUE FOR SR. NO. 6 = 29Nm

SR.NO.	DESCRIPTION	MATERIAL	QTY.
1	DRIVE HUB (I)	ASTM A 1040	1
2	DRIVEN HUB (I)	ASTM A 1040	1
3	SPACER	ASTM A1068, ASTM A36 \	1
4	ELEMENT BLADE ASSEMBLY	ASTM A1040	2
5	SLEEVE (I)	ASTM A 1040	12
6	COUPLING BOLT (I)	AH BOLT GR. 12.9	12
7	CLEV LOCK NUT	GR.10	12

TITLE:	RIM-95(66) / I / - / - - - -
CUSTOMER NAME:	CPLG
MATERIAL:	REFER TABLE
AUTHORITY:	INITIALS
DRAWN:	-
CHECKED:	-
APPROVED:	-
SCALE:	NTS
REF. NO.:	-
DRG. NO.:	L/RIM-XXXX/0

This drawing/ information/ design is the property of Rathi Transpower Pvt. Ltd. It is confidential & must not be made public or copied without prior written authorization & is subjected to recall at any time. Acceptance of this drawing constitutes full arrangements with these conditions.