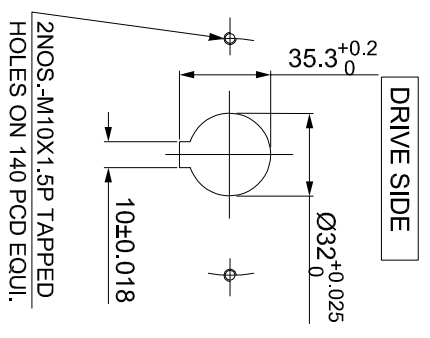
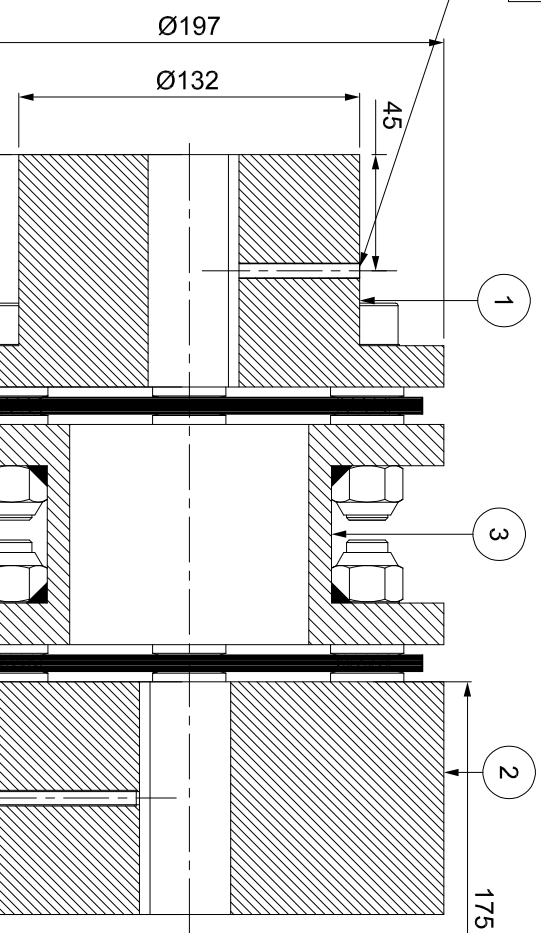
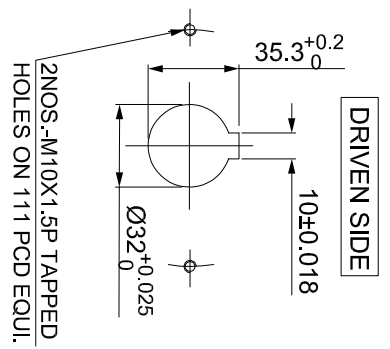


ERP CODE:

M6 SET SCREW ON KEYWAY.



APPLICATION DETAILS

APPLICATION	-
RATED POWER	-
RATED SPEED	-
RATED TORQUE	-
A.S.F.	-

COUPLING SPECIFICATIONS

COUPLING RATING	58.5 KW @ 100 RPM
RATED TORQUE	5586 Nm
PEAK TORQUE	11166 Nm
SHORT CIRCUIT TORQUE	19540 Nm
MAX. BORE	HUB (I)-90mm HUB(II)-115mm
WEIGHT (Approx.)	41 kg
INERTIA (WK ²)	0.185 kg.M ²

CPLG DYNAMIC BALANCED TO GR 6.3 AS PER ISO 21940-11

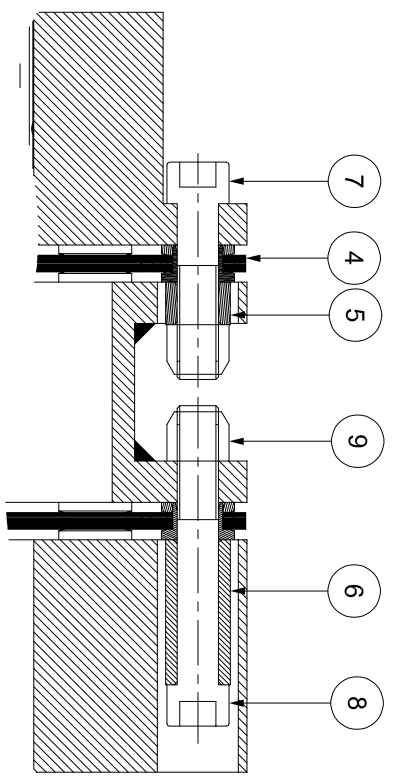
MAX. MISALIGNMENT

AXIAL DEFLECTION ± 2 mm

ANGULAR DEFLECTION 0.75° PER STACK

RADIAL MISALIGNMENT 0.013 mm

NOTE - TIGHTENING TORQUE FOR SR. NO. 7,8 = 250Nm



M6 SET SCREW ON KEYWAY.

SR.NO.	DESCRIPTION	MATERIAL	QTY.
9	CLEV LOCK NUT	GR. 10	12
8	COUPLING BOLT (II)	AH GR. 129	6
7	COUPLING BOLT (I)	AH GR. 129	6
6	SLEEVE (II)	ASTM A 1040	3
5	SLEEVE (I)	ASTM A 1040	9
4	ELEMENT BLADE ASSEMBLY	AISI SS 301	2
3	SPACER	ASTM A36, ASTM A106B \ ASTM A1040	1
2	DRIVE HUB (II)	ASTM A 1040	1
1	DRIVEN HUB (I)	ASTM A 1040	1

TITLE: RLM-520 /II/XXXX CPLG REF. TABLE

CUSTOMER NAME:

AUTHORITY INITIALS SIGN DATE

RATHI TRANSPOWER PVT LTD PUNE-411014