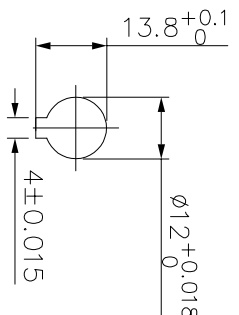
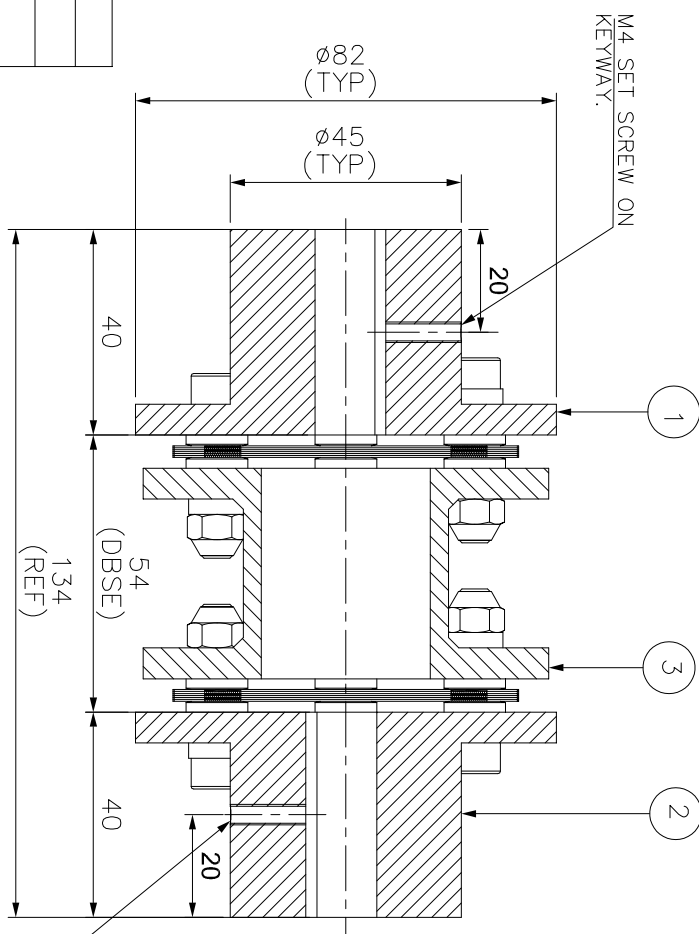
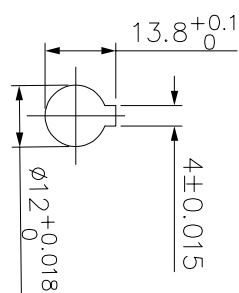


J I H G F E D C B A

ERP CODE: I H G F E D C B A

8 DRIVE SIDE



APPLICATION DETAILS

APPLICATION	-
RATED POWER	-
RATED SPEED	-
RATED TORQUE	-
A.S.F.	-

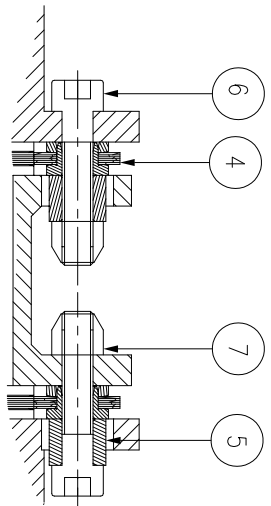
COUPLING SPECIFICATIONS

COUPLING RATING	2.4 KW @ 100 RPM
RATED TORQUE	229 Nm
PEAK TORQUE	464 Nm
SHORT CIRCUIT TORQUE	812 Nm
MAX. BORE	30 mm
WEIGHT (Approx.)	1.926 kg
INERTIA (WK ²)	0.000114 kg·M ²

PLG DYNAMIC BALANCED TO GR 6.3 AS PER ISO 21940-11

MAX. MISALIGNMENT

AXIAL DEFLECTION	±1 mm
ANGULAR DEFLECTION	0.75° PER STACK
RADIAL MISALIGNMENT	0.013mm



NOTE - TIGHTENING TORQUE FOR SR. NO. 6=12.1Nm

SR.NO.	DESCRIPTION	MATERIAL	QTY.
1	DRIVE HUB (I)	ASTM A 1040	1
2	DRIVEN HUB (I)	ASTM A 1040	1
3	SPACER	ASTM A1068, ASTM A36 \ ASTM A1040	1
4	ELEMENT BLADE ASSEMBLY	AISI SS-301	2
5	SLEEVE (I)	ASTM A 1040	12
6	COUPLING BOLT (I)	AH BOLT GR. 12.9	12
7	CLEV LOCK NUT	GR.10	12

TITLE: RLM-36(54) I/ / - - - -
 PLG
 CUSTOMER NAME:
 MATERIAL: REFER TABLE
 AUTHORITY/ INITIALS SIGN DATE
 DRAWN -
 CHECKED -
 APPROVED -
 SCALE: NTS
 REF. NO.

ANG. OF PROL.

Lovejoy
RATHI TRANSPOWER PVT LTD
PUNE-411014
 DRG NO.: L/RLM-XXXX/0

This drawing/ information/ design is the property of Rathi Transpower Pvt. Ltd. It is confidential & must not be made public or copied without prior written authorization & is subjected to recall at any time. Acceptance of this drawing constitutes full arrangements with these conditions.