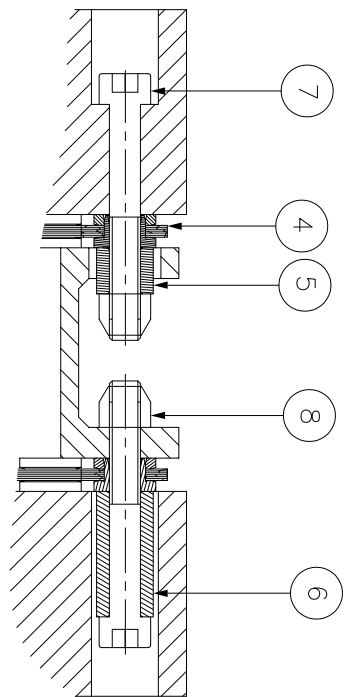


APPLICATION DETAILS	
RATED POWER	-
RATED SPEED	-
RATED TORQUE	-
A.S.F.	-
COUPLING SPECIFICATIONS	
COUPLING RATING	2.4 KW @ 100 RPM
RATED TORQUE	229 Nm
PEAK TORQUE	464 Nm
SHORT CIRCUIT TORQUE	812 Nm
MAX. BORE	38 mm
WEIGHT (Approx.)	3.614 kg
INERTIA (WK ²)	0.00030 kg.M ²
CPLG DYNAMIC BALANCED TO GR 6.3 AS PER ISO 21940-11	
MAX. MISALIGNMENT	
AXIAL DEFLECTION	±1 mm
ANGULAR DEFLECTION	0.75° PER STACK
RADIAL MISALIGNMENT	0.013 mm



NOTE - TIGHTENING TORQUE FOR SR. NO. 7=12.1Nm

1	AXIAL DEFLECTION	±1 mm
2	ANGULAR DEFLECTION	0.75° PER STACK
3	RADIAL MISALIGNMENT	0.013 mm

SR.NO.	DESCRIPTION	MATERIAL	QTY.
1	DRIVE HUB (II)	ASTM A 1040	1
2	DRIVEN HUB (II)	ASTM A 1040	1
3	SPACER	ASTM A 1040	1
4	ELEMENT BLADE ASSEMBLY	431 SS 301	2
5	SLEEVE (I)	ASTM A 1040	6
6	SLEEVE (II)	ASTM A 1040	6
7	COUPLING BOLT (II)	A4-GR. 12.9	12
8	CLEV LOCK NUT	GR. 10	12

TITLE: RUM-35654; II II'---
 COUPLING
 CUSTOMER NAME: _____
 SCALE: NTS REF. No.: _____
 APPROVED: _____
 CHECKED: _____
 DRAWN: _____
 DATE: _____