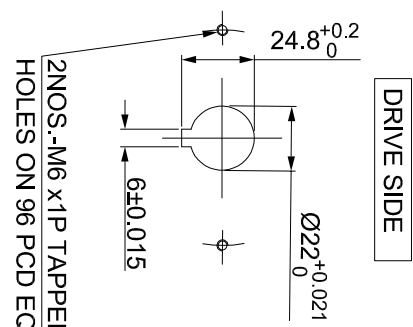
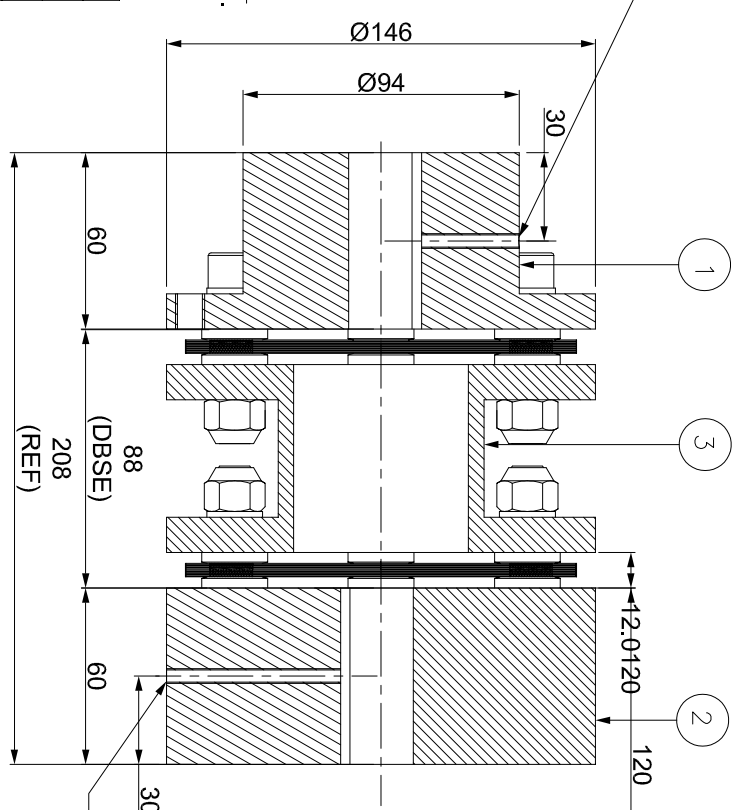
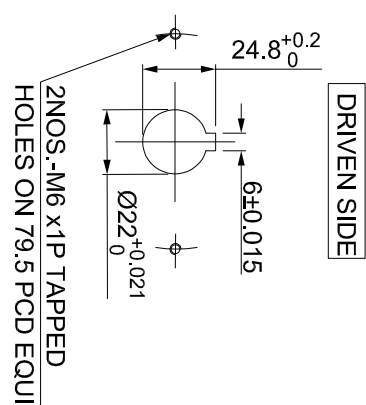


ERP CODE:

M5 SET SCREW ON KEYWAY.



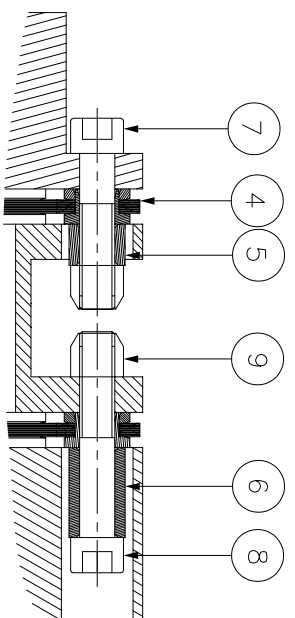
ALLEN KEY

M5 SET SCREW ON KEYWAY.

APPLICATION DETAILS

APPLICATION	-
RATED POWER	-
RATED SPEED	-
RATED TORQUE	-
A.S.F.	-

COUPLING SPECIFICATIONS	
COUPLING RATING	20 KW @ 100 RPM
RATED TORQUE	1910 Nm
PEAK TORQUE	3824 Nm
SHORT CIRCUIT TORQUE	6692 Nm
MAX. BORE	HUB (I)-65mm HUB(II)-80mm
WEIGHT (Approx.)	15 kg
INERTIA (WK ²)	0.038 kg.M ²
CPLG DYNAMIC BALANCED TO GR 6.3 AS PER ISO 21940-11	
MAX. MISALIGNMENT	
AXIAL DEFLECTION	±1 mm
ANGULAR DEFLECTION	0.75° PER STACK
RADIAL MISALIGNMENT	0.013 mm



NOTE-
TIGHTENING TORQUE FOR SR. NO. 7,8 =102Nm

S.R.NO.	DESCRIPTION	MATERIAL	QTY.
9	CLEV LOCK NUT	GR. 10	12
8	COUPLING BOLT (II)	AH GR. 12.9	6
7	COUPLING BOLT (I)	AH GR. 12.9	6
6	SLEEVE (II)	ASTM A 1040	3
5	SLEEVE (I)	ASTM A 1040	9
4	ELEMENT BLADE ASSEMBLY	AISI SS 301	2
3	SPACER	ASTM A36, ASTM A106B \ ASTM A1040	1
2	DRIVE HUB (II)	ASTM A 1040	1
1	DRIVEN HUB (I)	ASTM A 1040	1

TITLE: RLM-220(XXX)/II /XXX CPLG.

CUSTOMER NAME:

MATERIAL:	AUTHORITY:	INITIALS:	SIGN:	DATE:
REFER TABLE	DRAWN	-	-	-
CHECKED	-	-	-	-
APPROVED	-	-	-	-

SCALE: NTS

REF. NO.

Lovejoy

RATHI TRANSPOWER PVT LTD

PUNE-411014

DRG. NO.: L/RLM-XXX/0

REV. NO.	DMRN	DESCRIPTION	REV. BY	APPD. BY	DATE