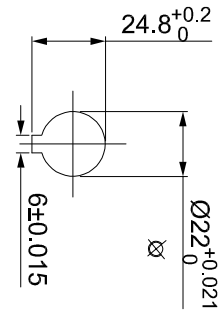
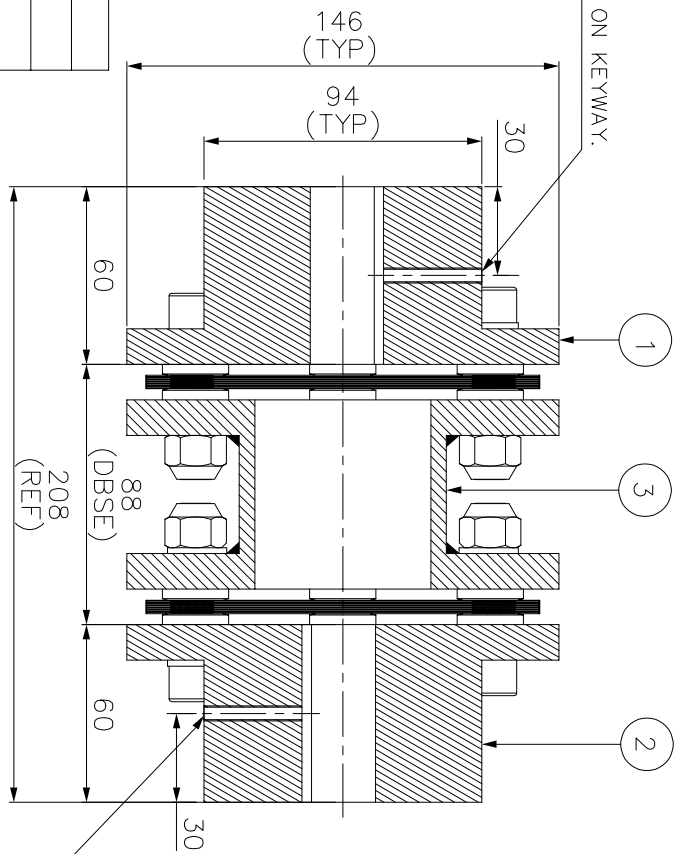
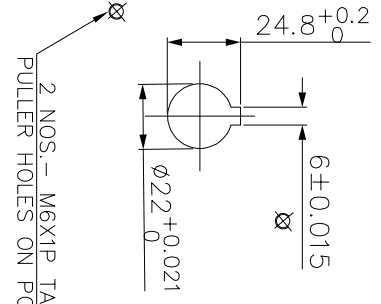


ERP CODE: \_\_\_\_\_

DRIVE SIDE

DRIVEN SIDE



APPLICATION DETAILS

APPLICATION	-
RATED POWER	-
RATED SPEED	-
RATED TORQUE	-
A.S.F.	-

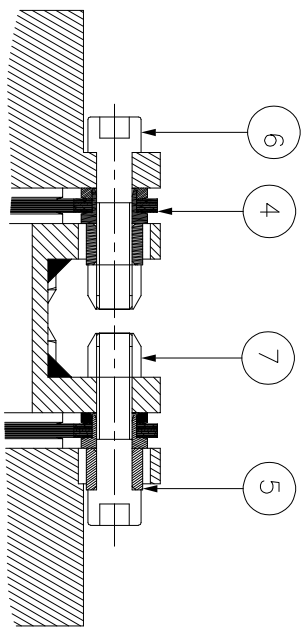
COUPLING SPECIFICATIONS

COUPLING RATING	20 KW @ 100 RPM
RATED TORQUE	1910 Nm
PEAK TORQUE	3824 Nm
SHORT CIRCUIT TORQUE	6692 Nm
MAX. BORE	65 mm
WEIGHT (Approx.)	12
INERTIA (Wk <sup>2</sup> )	0.026 kg.M <sup>2</sup>

CPLG DYNAMIC BALANCED TO GR 6.3 AS PER ISO 21940-11

MAX. MISALIGNMENT

AXIAL DEFLECTION	±1 mm
ANGULAR DEFLECTION	0.75° PER STACK
RADIAL MISALIGNMENT	0.013 mm



NOTE - TIGHTENING TORQUE FOR SR. NO. 6=102Nm

M5 SET SCREW ON KEYWAY.

SR.NO.	DESCRIPTION	MATERIAL	QTY.
1	DRIVE HUB (I)	ASTM A 1040	1
2	DRIVEN HUB (I)	ASTM A 1040	1
3	SPACER	ASTM A36,ASTM A106B \ ASTM A1040	1
4	ELEMENT BLADE ASSEMBLY	AISI SS 301	2
5	SLEEVE (I)	ASTM A 1040	12
6	COUPLING BOLT (I)	AH BOLT GR. 12.9	12
7	CLEV LOCK NUT	GR.10	12

TITLE: RLM-220(88) 1/1 /-----  
CPLG

CUSTOMER NAME:

MATERIAL: REFER TABLE

AUTHORITY INITIALS SIGN DATE

SCALE: NTS REF. NO.

**RATHI TRANSPOWER PVT LTD**  
PUNE-411014

DRG.NO.: L/RLM-XXXX/0

This drawing/ information/ design is the property of Rathi Transpower Pvt. Ltd. It is confidential & must not be made public or copied without prior written authorization & is subjected to recall at any time. Acceptance of this drawing constitutes full arrangements with these conditions.