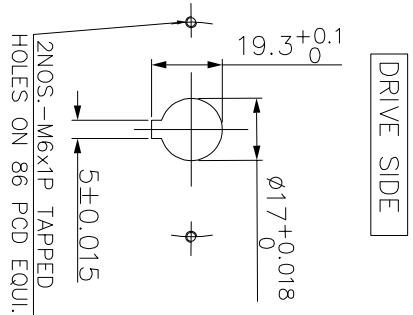
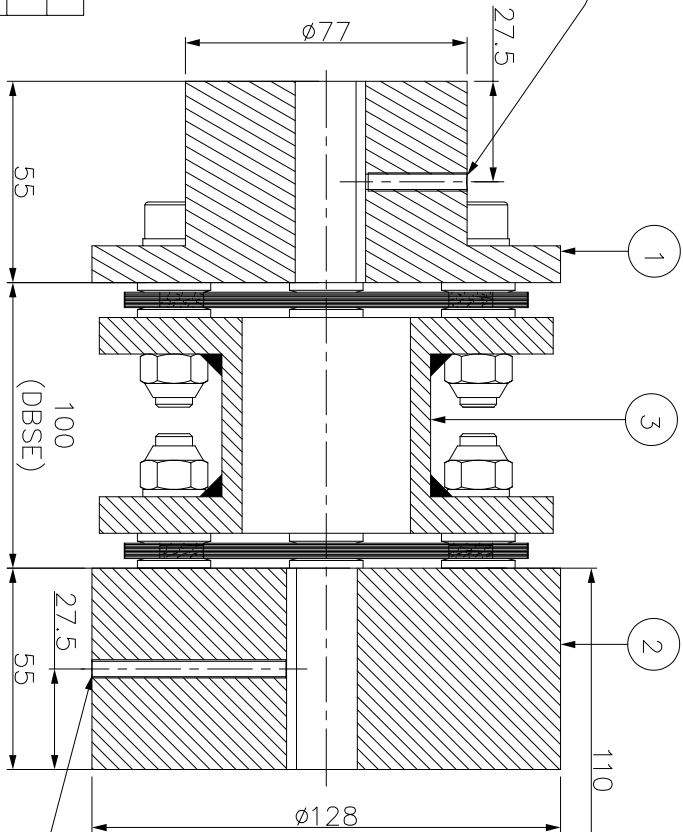
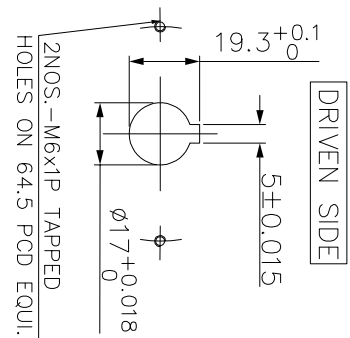


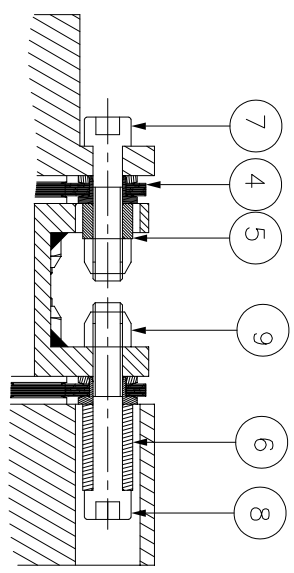
ERP CODE: \_\_\_\_\_

M5 SET SCREW ON KEYWAY.



M5 SET SCREW ON KEYWAY.

APPLICATION DETAILS	
APPLICATION	-
RATED POWER	-
RATED SPEED	-
RATED TORQUE	-
A.S.F.	-
COUPLING SPECIFICATIONS	
COUPLING RATING	12.6 KW @ 100 RPM
RATED TORQUE	1203 Nm
PEAK TORQUE	2408 Nm
SHORT CIRCUIT TORQUE	4214 Nm
MAX. BORE	HUB (I)-52 mm HUB (II)-70mm
WEIGHT (Approx.)	10.054 kg
INERTIA (WK <sup>2</sup> )	0.018 kg.M <sup>2</sup>
CPLG DYNAMIC BALANCED TO GR 6.3 AS PER ISO 21940-11	
MAX. MISALIGNMENT	
AXIAL DEFLECTION	±1 mm
ANGULAR DEFLECTION	0.75° PER STACK
RADIAL MISALIGNMENT	0.013 mm



NOTE - TIGHTENING TORQUE FOR SR. NO. 7, 8=59Nm

REV	DMEN NO.	DESCRIPTION	REV. BY	APPD. BY	DATE

SR.NO.	DESCRIPTION	MATERIAL	QTY.
1	DRIVEN HUB (I)	ASTM A 1040	1
2	DRIVE HUB (II)	ASTM A 1040	1
3	SPACER	ASTM A106B, ASTM A36 \ ASTM A1040	1
4	ELEMENT BLADE ASSEMBLY	AISI SS 301	2
5	SLEEVE (I)	ASTM A 1040	9
6	SLEEVE (II)	ASTM A 1040	3
7	COUPLING BOLT (I)	AH GR. 12.9	6
8	COUPLING BOLT (II)	AH GR. 12.9	6
9	CLEV LOCK NUT	GR. 10	12

TITLE:	MATERIAL:	AUTHORITY:	INITIALS:	SIGN:	DATE:
RLM-170(100)/II /xxxx CPLG.	REFER TABLE	DRAWN	-	-	-
		CHECKED	-	-	-
		APPROVED	-	-	-

CUSTOMER NAME: \_\_\_\_\_  
**RATHI TRANSPOWER PVT LTD**  
**PUNE-411014**  
 SCALE: NTS  
 REF. NO. \_\_\_\_\_  
 DRG.NO.: L/RLM-XXXX/0