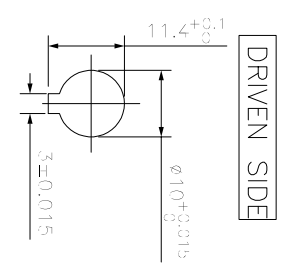
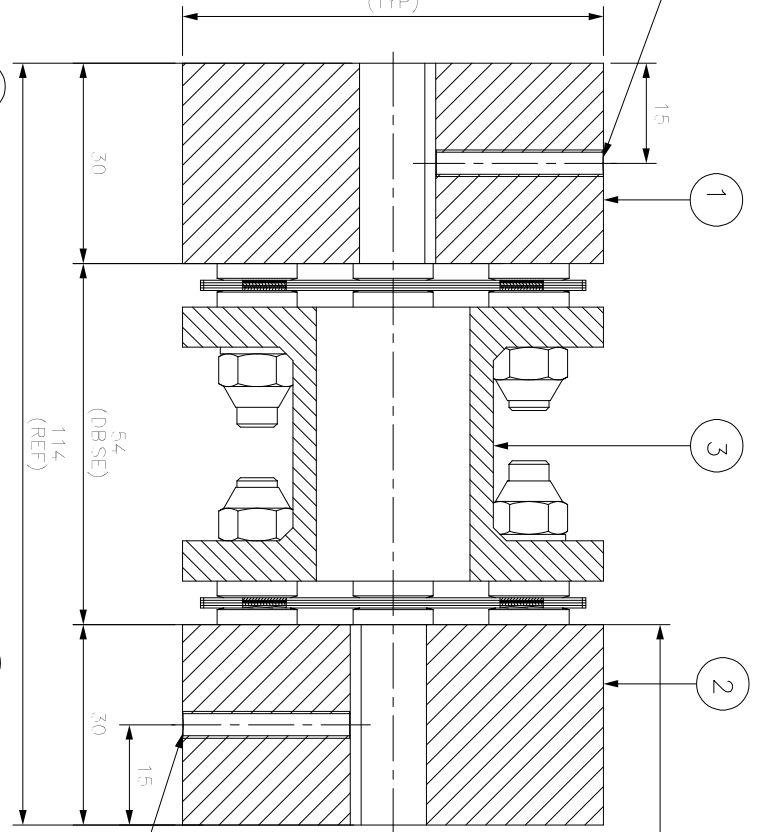
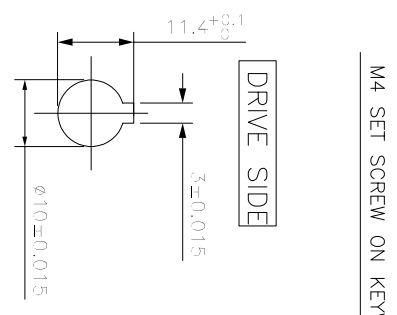
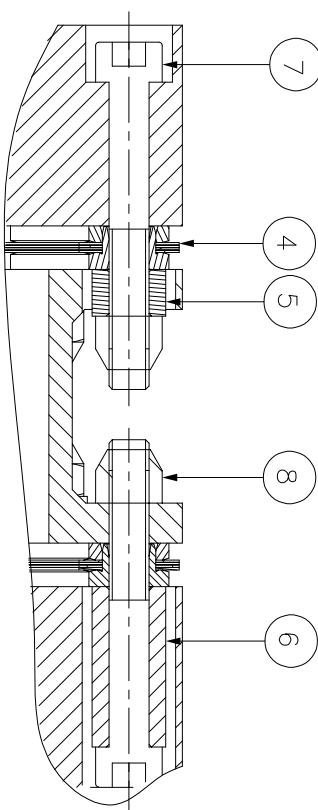


J	I	H	G	F	E	D	C	B	A
ERP CODE:									



APPLICATION DETAILS	
APPLICATION	-
RATED POWER	-
RATED SPEED	-
RATED TORQUE	-
A.S.F.	-
COUPLING SPECIFICATIONS	
COUPLING RATING	1.0 KW @ 100 RPM
RATED TORQUE	95 Nm
PEAK TORQUE	192 Nm
SHOR CIRCUIT TORQUE	336 Nm
MAX. BORE	25 mm
WEIGHT (Approx.)	1.746 kg
INERTIA (WK ²)	0.0008 kg.M ²
CPLG DYNAMIC BALANCED TO GR 6.3 AS PER ISO 21940-11	
MAX. MISALIGNMENT	
AXIAL DEFLECTION	±1 mm
ANGULAR DEFLECTION	0.75° PER STACK
RADIAL MISALIGNMENT	0.013 mm



NOTE - TIGHTENING TORQUE FOR SR. NO. 7=12.1Nm

REV.	DIMEN NO.	DESCRIPTION	REV. BY	APPR. BY	DATE

TITLE:	RUM-10(54)/II/-----	MATERIAL:	REFER TABLE
CUSTOMER NAME:	RATHI TRANSPOWER PVT LTD	DRG. No.:	L/PLM-XXXX/0
	PUNE 411014		

S.R.NO.	DESCRIPTION	MATERIAL	QTY.
8	CLEV LOCK NUT	GR. 10	12
7	COUPLING BOLT (II)	AH GR. 12.9	12
6	SLEEVE (II)	ASTM A 1040	6
5	SLEEVE (I)	ASTM A 1040	6
4	ELEMENT BLADE ASSEMBLY	AISI SS 301	2
3	SPACER	ASTM A1068/ASTM A36 \	1
2	DRIVEN HUB (II)	ASTM A 1040	1
1	DRIVE HUB (II)	ASTM A 1040	1