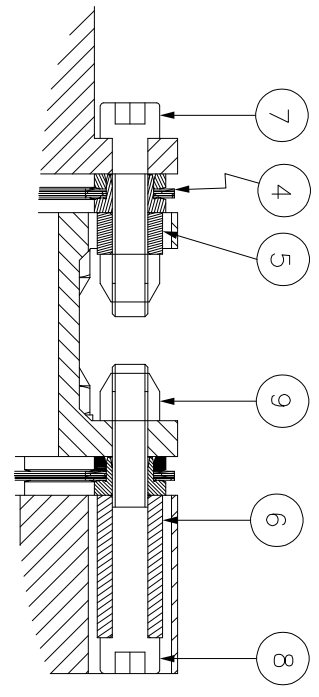


APPLICATION DETAILS	
APPLICATION	-
RATED POWER	-
RATED SPEED	-
RATED TORQUE	-
A.S.F.	-
COUPLING SPECIFICATIONS	
COUPLING RATING	1.0 KW @ 100 RPM
RATED TORQUE	95 Nm
PEAK TORQUE	192 Nm
SHORCIRCUIT TORQUE	336 Nm
MAX. BORE	HUB (I)-22 mm HUB (II)-25 mm
WEIGHT (Approx.)	1.418 kg
INERTIA (WK ²)	0.0006 kg·M ²
CPLG DYNAMIC BALANCED TO GR 6.3 AS PER ISO 21940-11	
MAX. MISALIGNMENT	
AXIAL DEFLECTION	±1 mm
ANGULAR DEFLECTION	0.75° PER STACK
RADIAL MISALIGNMENT	0.013 mm



NOTE-
TIGHTENING TORQUE FOR SR. NO. 7, 8=12.1Nm

REV	DMRN NO	DESCRIPTION	REV.	BY	APPD.	DATE

SR.NO.	DESCRIPTION	MATERIAL	AUTHORITY	INITIALS	SIGN	DATE
9	CLEV LOCK NUT		GR:10			12
8	COUPLING BOLT (II)		AH GR. 12.9			6
7	COUPLING BOLT (I)		AH GR. 12.9			6
6	SLEEVE (II)		ASTM A 1040			3
5	SLEEVE (I)		ASTM A 1040			9
4	ELEMENT BLADE ASSEMBLY		ASI SS 301			2
3	SPACER		ASTM A106B,ASTM A36 \			1
2	DRIVE HUB (II)		ASTM A 1040			1
1	DRIVEN HUB (I)		ASTM A 1040			1

TITLE: RLM-10(54)/II /XXXX CPLG.
 CUSTOMER NAME: RATHI TRANSPOWER PVT LTD
 PUNE-411014
 SCALE: NTS
 REF. NO.:
 DRC. NO.: L/RLM-XXXX/0

This drawing/ information/ design is the property of Rathi Transpower Pvt. Ltd. It is confidential & must not be made public or copied without prior written authorization & is subjected to recall at any time. Acceptance of this drawing constitutes full arrangements with these conditions.