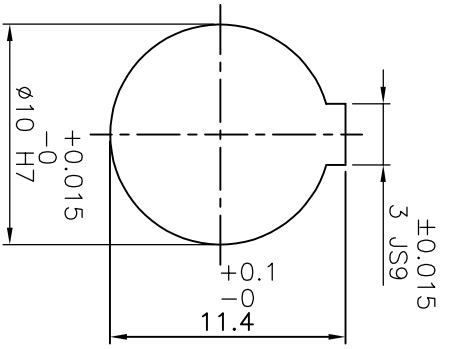
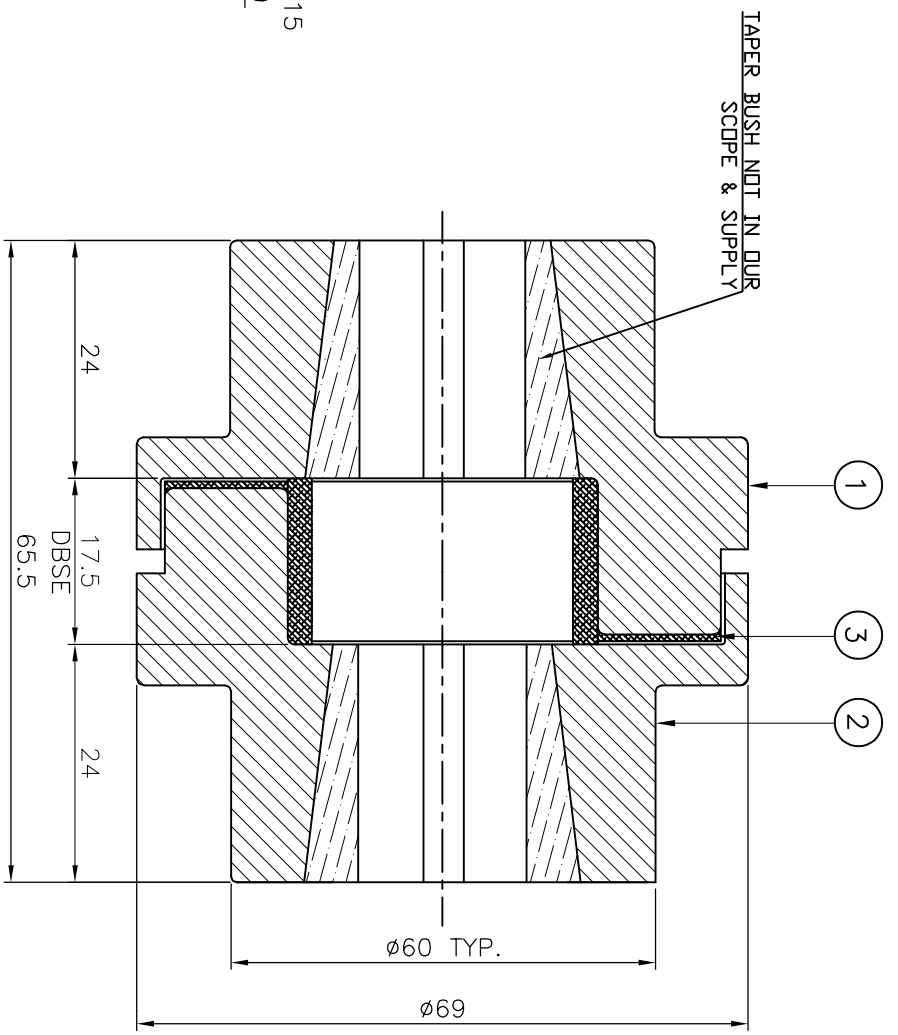


**DRIVE SIDE**



**DRIVEN SIDE**

**APPLICATION DETAILS**

APPLICATION	-
RATED POWER	KW
RATED SPEED	RPM.
RATED TORQUE	Nm
A.S.F.	-

**COUPLING CAPACITY**

NORMAL TORQUE	31.5 Nm
MAXIMUM TORQUE	72 Nm
MAXIMUM BORE	25 mm.
WEIGHT (APPROX)	1.1kg
INERTIA (WK <sup>2</sup> )	0.0003kgm <sup>2</sup>
COUPLING HUBS DYNAMICALLY BALANCED TO GR6.3 AS PER ISO 21940-11.	

**MAX. MISALIGNMENT**

AXIAL	+0.2
ANGULAR	1'
PARALLEL	0.3

S.R.NO.	DESCRIPTION	MATERIAL	QTY.
3	SPIDER	NITRILE RUBBER	1
2	H TYPE HUB	C.I. GR FG.260	1
1	F TYPE HUB	C.I. GR FG.260	1

TITLE: **RFC-7 F-H /-----COUPLING**

CUSTOMER NAME: \_\_\_\_\_

REVISION	DATE	BY	APPD. BY

Lovejoy **Lovejoy** RATHI TRANSPOWER PVT LTD PUNE 411014

DRG. No.: \_\_\_\_\_

3 EN-F-112, REV.1

This drawing / information / design is the property of Rathi Transpower Pvt. Ltd. It is confidential & must not be made public or copied without prior written authorization & is subjected to recall at any time. Acceptance of this drawing constitutes full agreement with these conditions