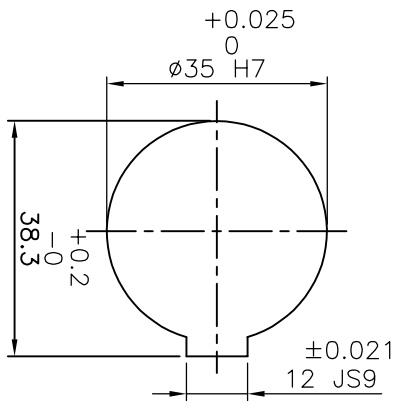
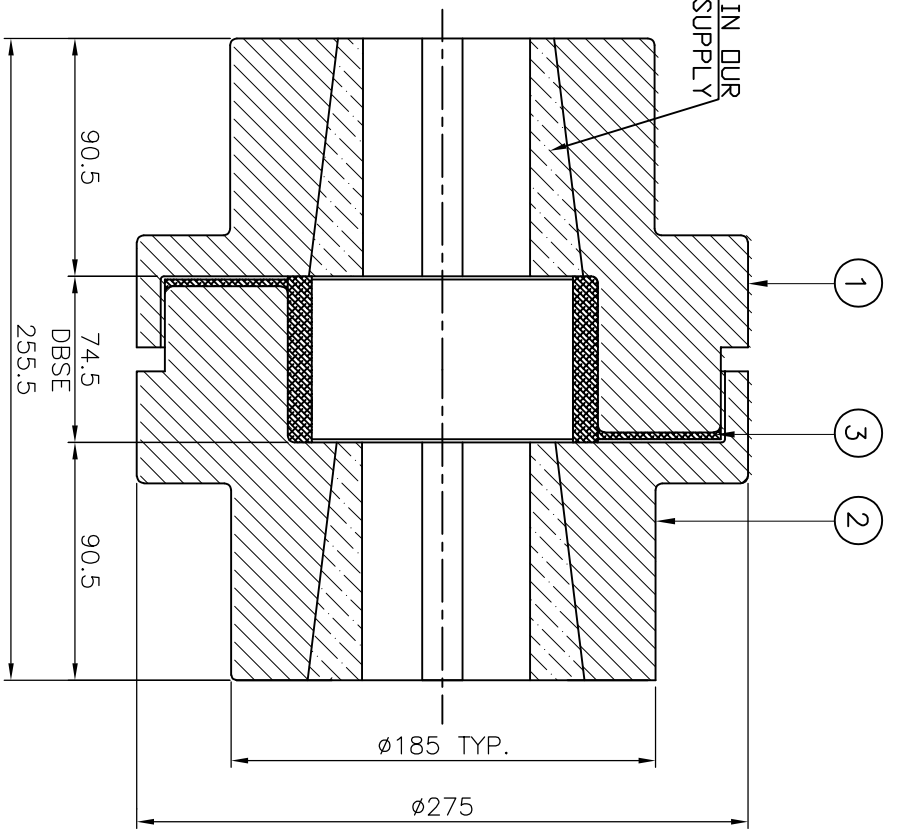


DRIVE SIDE



DRIVEN SIDE

APPLICATION DETAILS

APPLICATION	-
RATED POWER	KW
RATED SPEED	RPM.
RATED TORQUE	Nm
A.S.F.	-

COUPLING CAPACITY

NORMAL TORQUE	3150 Nm
MAXIMUM TORQUE	7200 Nm
MAXIMUM BORE	90 mm.
WEIGHT (APPROX)	66.5 kg
INERTIA	0.191 kgm ²

COUPLING HUBS DYNAMICALLY BALANCED TO GR6.3 AS PER ISO 21940-11.

MAX. MISALIGNMENT

AXIAL	+1.70
ANGULAR	1°
PARALLEL	0.5

S.R.NO.	DESCRIPTION	MATERIAL	QTY.
3	SPIDER	NITRILE RUBBER	1
2	H TYPE HUB	C.I. GR FG.260	1
1	F TYPE HUB	C.I. GR FG.260	1

TITLE:	RFC-28 F/H/----- COUPLING
CUSTOMER NAME:	-
REVISED:	DRAWN: - CHECKED: - APPROVED: -
AUTHORITY:	INITIALS: - SIGN: - DATE: -

REV. DWRN NO.	DESCRIPTION	REV. BY	APPD. BY	DATE

Lovejoy RATHI TRANSPOWER PVT LTD
PUNE 411014

DRG. No.: -----
SCALE: NTS REF. No.: -----

This drawing / information / design is the property of Rathi Transpower Pvt. Ltd. It is confidential & must not be made public or copied without prior written authorization & is subjected to recall at any time. Acceptance of this drawing constitutes full agreement with these conditions