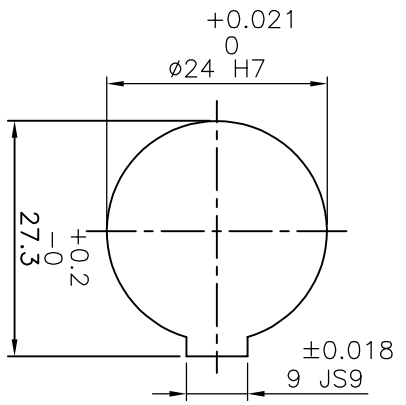
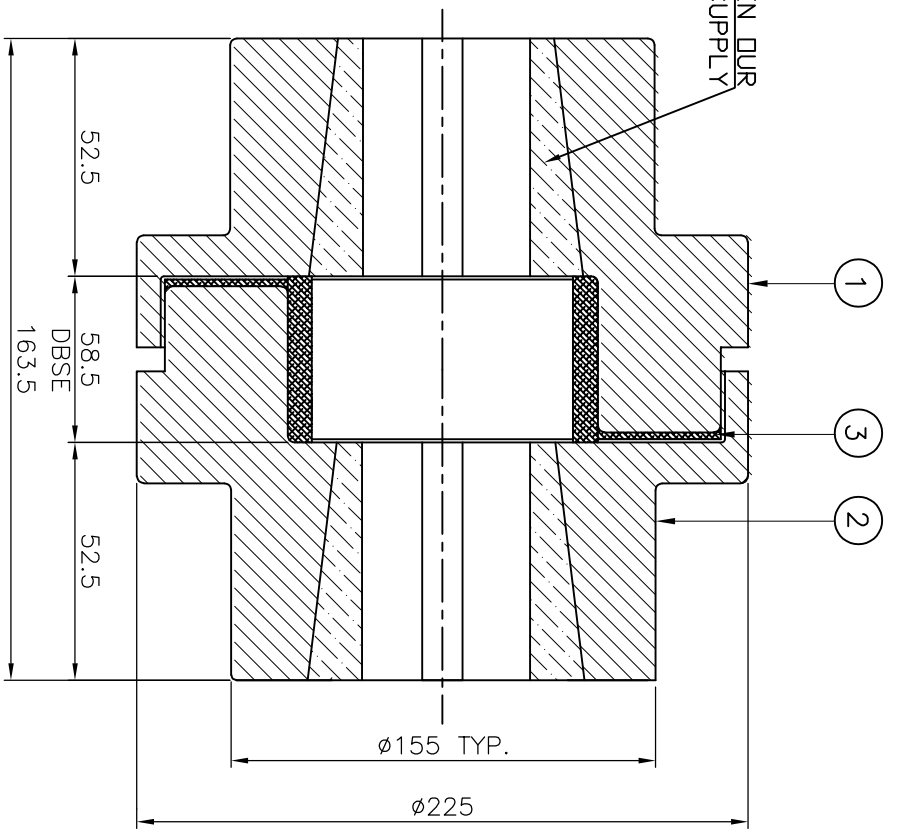


DRIVE SIDE



DRIVEN SIDE

APPLICATION DETAILS

APPLICATION	-
RATED POWER	KW
RATED SPEED	RPM.
RATED TORQUE	Nm
A.S.F.	-

COUPLING CAPACITY

NORMAL TORQUE	2000 Nm
MAXIMUM TORQUE	5000 Nm
MAXIMUM BORE	75 mm.
WEIGHT (APPROX)	35.0 kg
INERTIA (WK ²)	0.065 kgm ²

COUPLING HUBS DYNAMICALLY BALANCED TO GR6.3 AS PER ISO 21940-11.

MAX. MISALIGNMENT

AXIAL	+1.32
ANGULAR	1'
PARALLEL	0.5

S.R.NO.	DESCRIPTION	MATERIAL	QTY.
3	SPIDER	NITRILE RUBBER	1
2	H TYPE HUB	C.I. GR FG.260	1
1	F TYPE HUB	C.I. GR FG.260	1

TITLE: **RFC-23 F/H/----- COUPLING**

CUSTOMER NAME: -

LoveJoy	RATHI TRANSPOWER PVT LTD	DRG. No.:	-----/---
	PUNE 411014	SCALE: NTS/REF. No.:	-----/---
		APPROVED:	
		CHECKED:	
		DRAWN:	
		AUTHORITY INITIALS:	SIGN DATE

This drawing / information / design is the property of Rathi Transpower Pvt. Ltd. It is confidential & must not be made public or copied without prior written authorization & is subjected to recall at any time. Acceptance of this drawing constitutes full agreement with these conditions