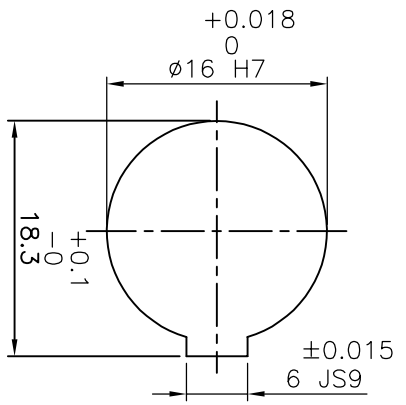
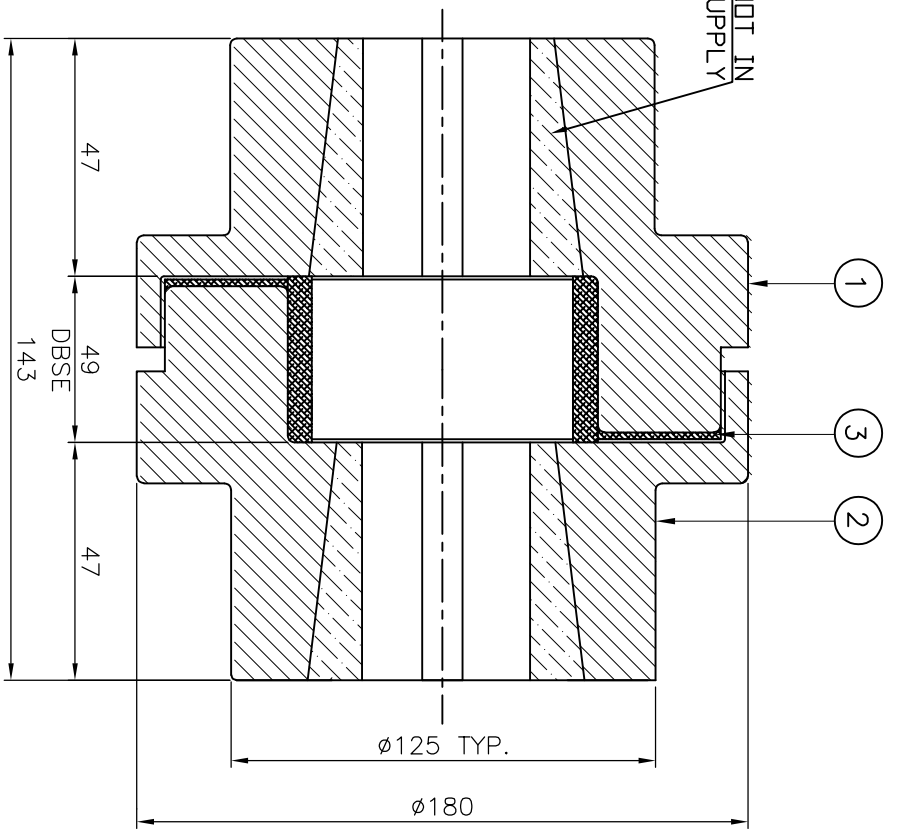


DRIVE SIDE



DRIVEN SIDE

APPLICATION DETAILS

APPLICATION	-
RATED POWER	KW
RATED SPEED	RPM.
RATED TORQUE	Nm
A.S.F.	-

COUPLING CAPACITY

NORMAL TORQUE	950 Nm
MAXIMUM TORQUE	2350 Nm
MAXIMUM BORE	60 mm.
WEIGHT (APPROX)	18.2 kg
INERTIA (WK ²)	0.022 kgm ²

COUPLING HUBS DYNAMICALLY BALANCED TO GR6.3 AS PER ISO 21940-11.

MAX. MISALIGNMENT

AXIAL	+1.09
ANGULAR	1°
PARALLEL	0.4

S.R.NO.	DESCRIPTION	MATERIAL	QTY.
3	SPIDER	NITRILE RUBBER	1
2	H TYPE HUB	C.I. GR FG.260	1
1	F TYPE HUB	C.I. GR FG.260	1

TITLE: **RFC-18B /----- COUPLING**

CUSTOMER NAME: -

REVISIONS:

REV.	DATE	BY	APPD. BY	DESCRIPTION

DRG. No.: -

SCALE: NTS/REF. No.: -

APPROVED: -

CHECKED: -

DRAWN: -

DATE: -

AUTHORITY INITIALS: -

SIGN: -

DATE: -

Lovejoy RATHI TRANSPOWER PVT LTD PUNE 411014

This drawing / information / design is the property of Rathi Transpower Pvt. Ltd. It is confidential & must not be made public or copied without prior written authorization & is subjected to recall at any time. Acceptance of this drawing constitutes full agreement with these conditions