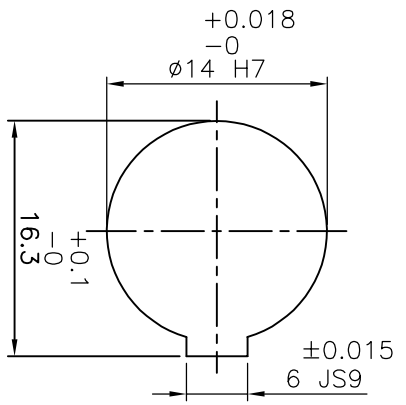
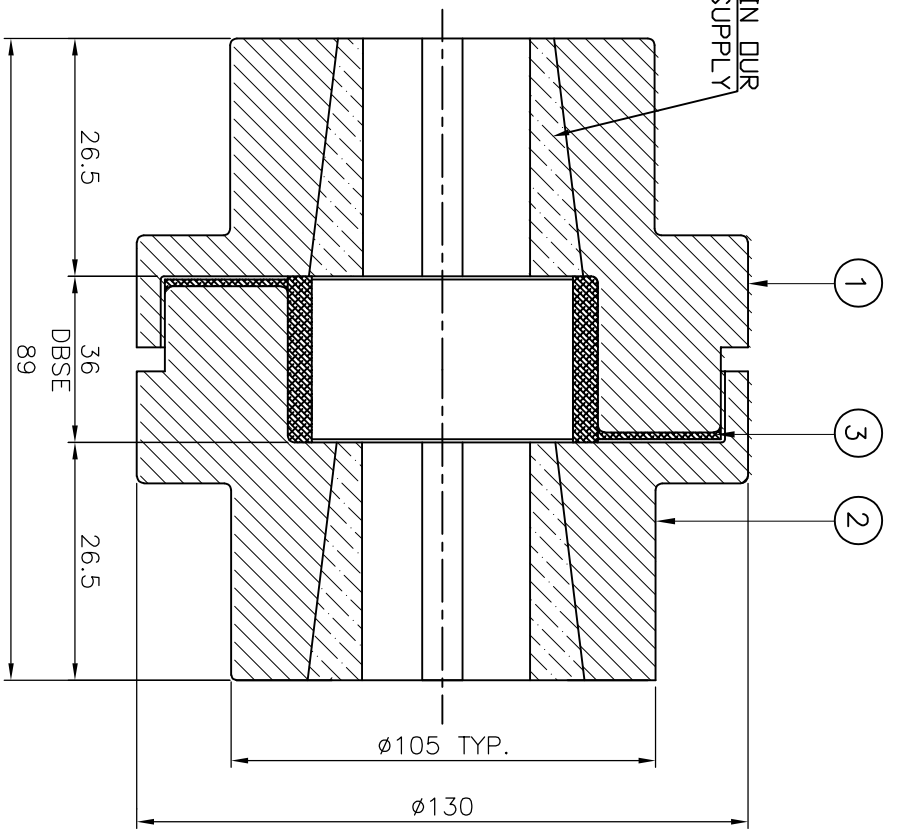


**DRIVE SIDE**



**DRIVEN SIDE**

**APPLICATION DETAILS**

APPLICATION	-
RATED POWER	KW
RATED SPEED	RPM.
RATED TORQUE	Nm
A.S.F.	-

**COUPLING CAPACITY**

NORMAL TORQUE	315 Nm
MAXIMUM TORQUE	720 Nm
MAXIMUM BORE	42 mm.
WEIGHT (APPROX)	8.0 kg
INERTIA (WK <sup>2</sup> )	0.005 kgm <sup>2</sup>

COUPLING HUBS DYNAMICALLY BALANCED TO GR6.3 AS PER ISO 21940-11.

**MAX. MISALIGNMENT**

AXIAL	+0.79
ANGULAR	1'
PARALLEL	0.4

S.R.NO.	DESCRIPTION	MATERIAL	QTY.
3	SPIDER	NITRILE RUBBER	1
2	H TYPE HUB	C.I. GR FG.260	1
1	F TYPE HUB	C.I. GR FG.260	1

TITLE: **RFC-13 F-H/- COUPLING**

CUSTOMER NAME: -

REV. DWGN NO.	DESCRIPTION	REV. BY	APPD. BY	DATE



RATHI TRANSPOWER PVT LTD  
PUNE 411014

DRG. No.: -

3 EN-F-112, REV.1