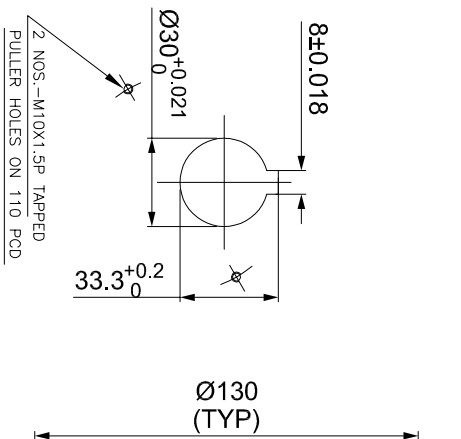


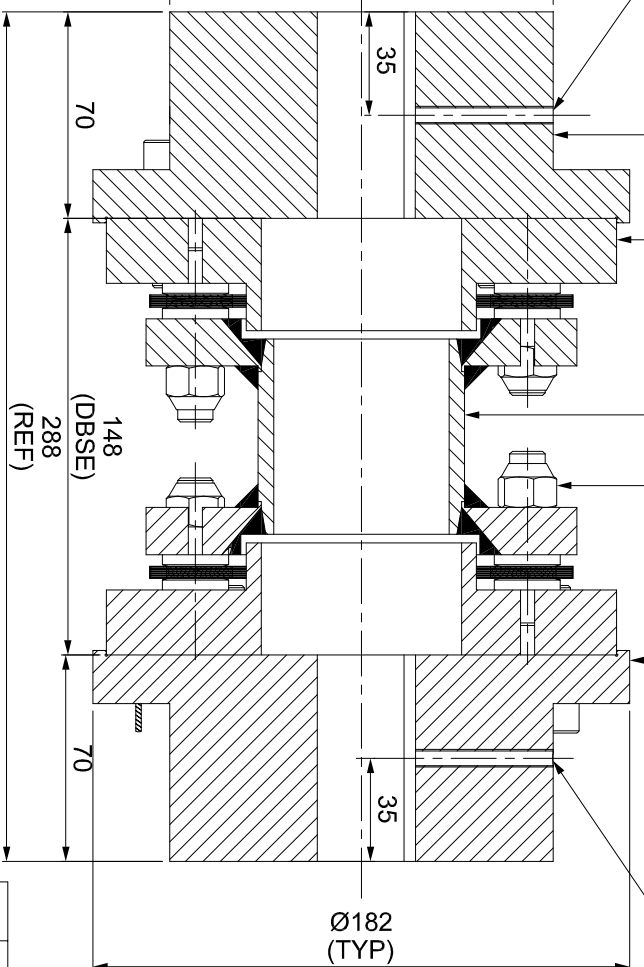
J I H G F E D C B A

ERP CODE: _____

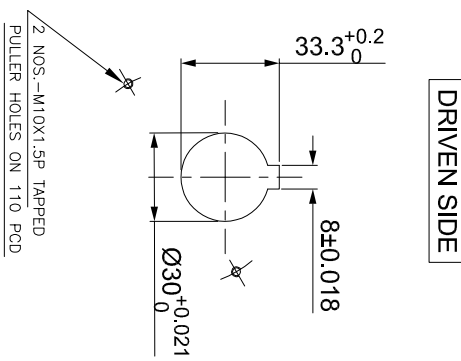
M6 SET SCREW ON KEYWAY.
DRIVE SIDE



1 3 4 9 2



M6 SET SCREW ON KEYWAY.
DRIVEN SIDE



APPLICATION DETAILS

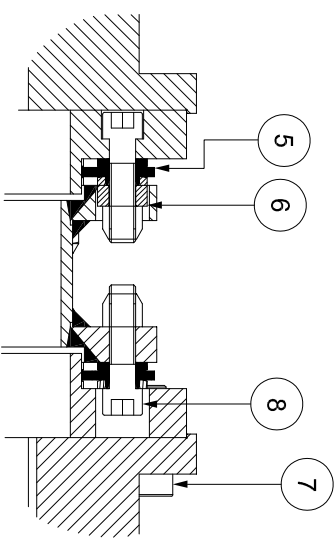
APPLICATION	-
RATED POWER	-
RATED SPEED	-
RATED TORQUE	-
A.S.F.	-

COUPLING SPECIFICATIONS

COUPLING RATING	20.0 KW @ 100 RPM
RATED TORQUE	1910 Nm
MAX. BORE	90 mm
WEIGHT (Approx.)	28.724 kg
INERTIA (WK ²)	0.096 kg.M ²
TORSIONAL STIFFNESS	0.396 Nm/m/rad
CPLG DYNAMIC BALANCED TO GR 6.3 AS PER ISO 21940-11	
MAX. MISALIGNMENT	

MAX. MISALIGNMENT

AXIAL DEFLECTION	± 1 mm
ANGULAR DEFLECTION	0.75°
RADIAL MISALIGNMENT	0.013mm



TIGHTENING TORQUE :-

- 1) SR.NO.8 COUPLING BOLT = 102 Nm
- 2) SR.NO.7 ATTACHMENT BOLT = 59 Nm

SR.NO.	DESCRIPTION	MATERIAL	QTY.
9	CLEVELOCK NUT	GR. 10	12
8	COUPLING BOLT	AH BOLT GR. 12.9	12
7	ATTACHMENT BOLT (III)	AH BOLT GR. 12.9	12
6	S SLEEVE	ASTM A 1040	6
5	ELEMENT BLADE ASSEMBLY	AISI SS 301	2
4	SPACER	ASTM A36, ASTM A1088 \ ASTM A1040	1
3	ADAPTER III/IV	ASTM A 1040	2
2	DRIVEN HUB (III)	ASTM A 1040	1
1	DRIVE HUB (III)	ASTM A 1040	1

TITLE:	REM-165(140) III/III
CUSTOMER NAME:	XXXX CPLG
AUTHORITY	INITIALS
DRAWN	-
CHECKED	-
APPROVED	-
SCALE:	1:1
REF. NO.	-

LongJoy logo

RATHI TRANSPOWER PVT LTD
 PUNE-411014

DRG.NO.: XXXX

This drawing / information / design is the property of Rathi Transpower Pvt. Ltd. It is confidential & must not be made public or copied without prior written authorization & is subjected to recall at any time. Acceptance of this drawing constitutes full arrangements with these conditions.