

M5x0.8P SET SCREW ON KEYWAY

APPLICATION DETAILS

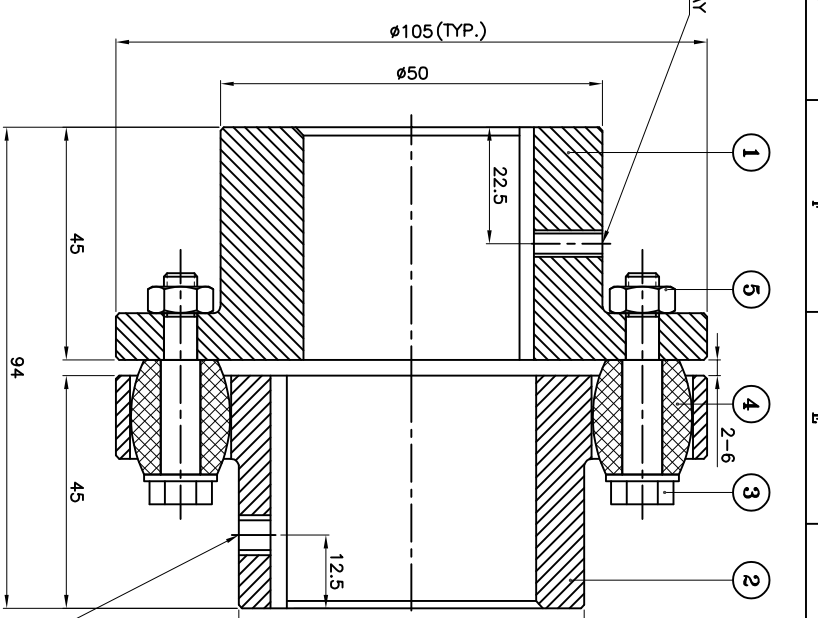
APPLICATION	-
RATED POWER	-
RATED SPEED	-
RATED TORQUE	-
A.S.F.	-

COUPLING SPECIFICATIONS

COUPLING RATING	1kW @ 100 RPM
RATED TORQUE	0.095 kWhm.
PEAK TORQUE	0.19 kWhm.
MAX. SPEED	7200 rpm.
MAX. BORE	32 mm
MAX. BUSH HALF	30 mm
WEIGHT(Approx.)	2.47 Kg
INERTIA (MK ²)	0.0037 Kg ²

MAX. MISALIGNMENTS

AXIAL DEFLECTION	± 2 mm.
ANGULAR DEFLECTION	1°
RADIAL DEFLECTION	0.3 mm



M5x0.8P SET SCREW ON KEYWAY

SR NO	DESCRIPTION	MATERIAL	QTY
5	NYLOCK NUT	GR. 8	3
4	BUSH	NATURAL RUBBER	3
3	PIN	EN-8D/15B25	3
2	BUSH HALF	CI IS-210 G.F.G-260	1
1	PIN HALF	CI IS-210 G.F.G-260	1

TITLE: RB-106-3 /----- CP1G. MATERIAL: REFER TABLE

CUSTOMER NAME: RATHI TRANSPOWER PVT LTD PUNE 411014

REV. DWGN NO. DATE

REV. BY APPD. BY DATE

SCALE: NTS REF. No.: DRG. No.: 3 EN-F-112 REV1