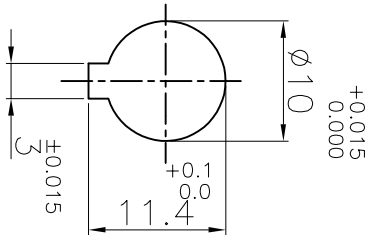
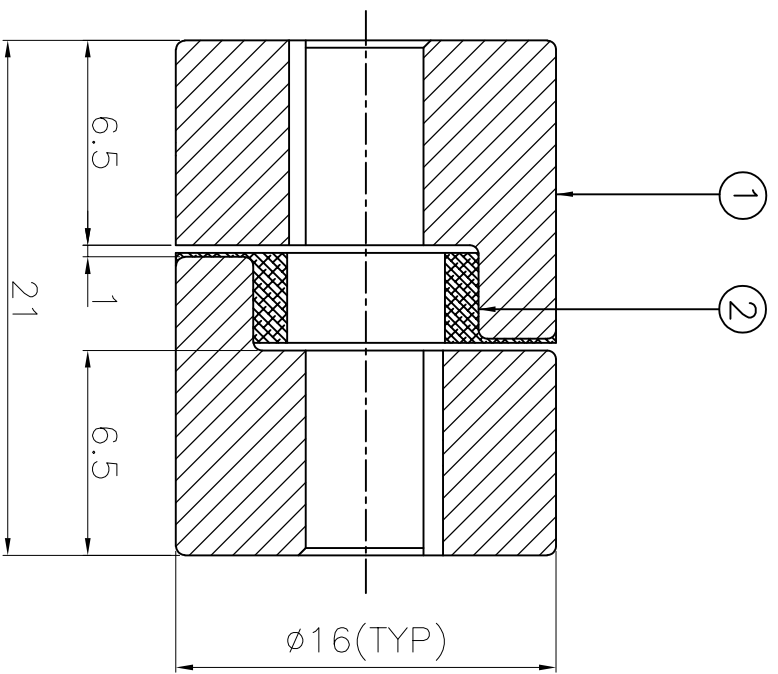
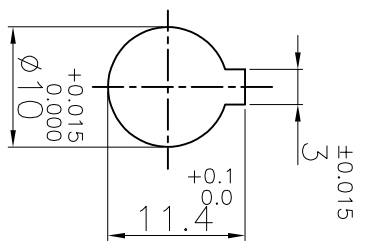


DRIVE END



DRIVEN END



APPLICATION DETAILS

APPLICATION	-
RATED POWER	- KW
RATED SPEED	- RPM
RATED TORQUE	- Nm
A.S.F.	-

COUPLING SPECIFICATIONS

COUPLING RATING	0.01 KW AT 100 RPM
RATED TORQUE	0.6 Nm
MAX. BORE	10 mm
WEIGHT (Approx.)	0.02 Kg
INERTIA (WK ²)	7.28x10 ⁻⁸ Kgm ²
CPLG. HUBS DYNAMICALLY BALANCED TO GR.6.3 AS PER ISO 21940-11.	

MAX. MISALIGNMENTS

AXIAL DEFLECTION	±0.5 mm
ANGULAR DEFLECTION	1°
RADIAL DEFLECTION	0.4 mm

SR NO	DESCRIPTION	MATERIAL	QTY.
1	HUB	SINTERED IRON	2
2	SPIDER	POLYURETHANE	1

TITLE: **L-35/-** CP1G REFER TABLE

CUSTOMER NAME: -

AUTHORITY	INITIALS	SIGN	DATE
DRAWN	-	-	-
CHECKED	-	-	-
APPROVED	-	-	-

RATHI TRANSPOWER PVT LTD
PUNE 411014
DRG. No.: -
3 EN-F-112, REV.1

REV/CHGR NO.	DESCRIPTION	REV. BY	DATE