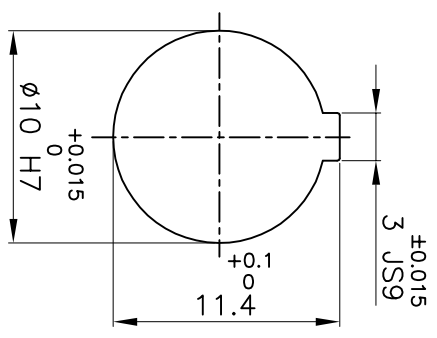
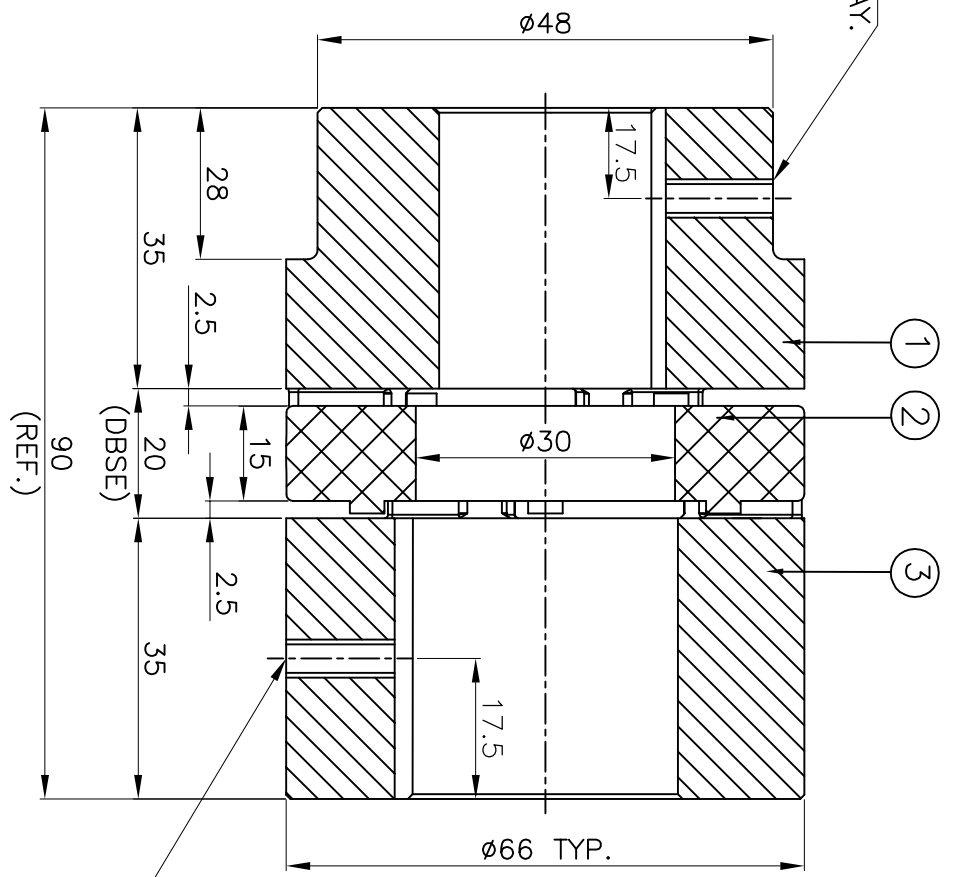


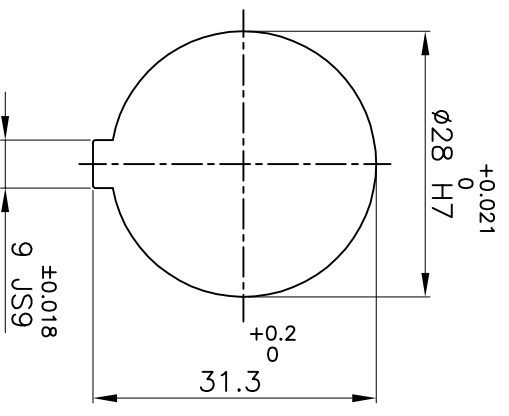
M5X0.8P TAPPED HOLE
FOR SET SCREW ON KEYWAY.



DRIVE SIDE



M6X1P TAPPED HOLE
FOR SET SCREW ON KEYWAY.



DRIVEN SIDE

APPLICATION DETAILS

APPLICATION	-
RATED POWER	- KW
RATED SPEED	- RPM
RATED TORQUE	- Nm
A.S.F.	-

COUPLING CAPACITY

COUPLING RATING	0.95KW AT 100RPM.
RATED TORQUE	91Nm
MAX. BORE TYPE-I & II	28 & 38mm.
WEIGHT (APPROX)	0.54kg
INERTIA (WK ²)	42X10 ⁻⁵ kg-m ²

MAX. MISALIGNMENT

AXIAL	±2.0mm
ANGULAR	0.80°
PARALLEL	0.20mm

SERIAL NO	DESCRIPTION	MATERIAL	QTY.
3	HUB-II	ALUMINIUM	1
2	SPIDER	POLYURETHANE (GRAY)	1
1	HUB-I	ALUMINIUM	1

TITLE: **RRJ-28 I/II / - - - -**
CPLG. REFER TABLE

CUSTOMER NAME: -

AUTHORITY	INITIALS	SIGN	DATE
DRAWN	-	-	-
CHECKED	-	-	-
APPROVED	-	-	-

SCALE: NTS REF. No.: -

REV. DMRN NO. DESCRIPTION REV. BY APPD. BY DATE

RATHI RATHI TRANSPOWER PVT LTD PUNE 411014 DRG. No.: - - - - - / -

This drawing / information / design is the property of Rathi Transpower Pvt. Ltd. It is confidential & must not be made public or copied without prior written authorization & is subjected to recall at any time. Acceptance of this drawing constitutes full agreement with these conditions