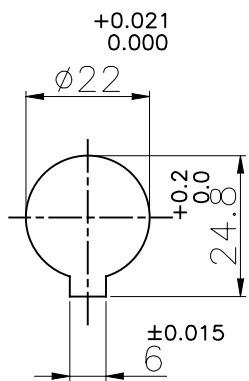
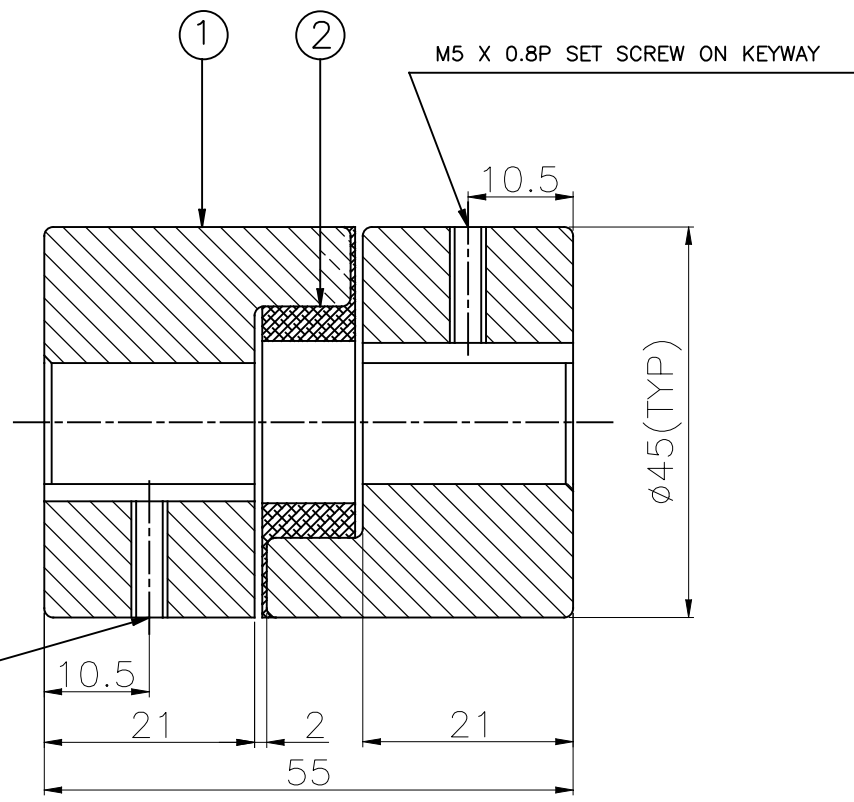
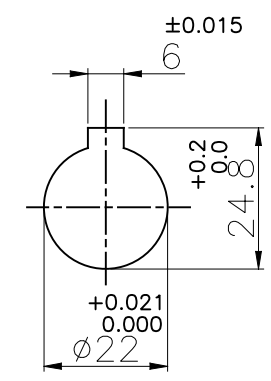


J I H G F E D C B A

**DRIVE END**



**DRIVEN END**



M5 X 0.8P SET SCREW ON KEYWAY

M5 X 0.8P SET SCREW ON KEYWAY

**APPLICATION DETAILS**

APPLICATION	-
RATED POWER	- KW
RATED SPEED	- RPM
RATED TORQUE	- Nm
A.S.F.	-

**COUPLING SPECIFICATIONS**

COUPLING RATING	0.15 KW AT 100 RPM
RATED TORQUE	14.7 Nm
MAX. BORE	22 mm
WEIGHT (Approx.)	0.44 Kg
INERTIA (WK <sup>2</sup> )	1.19X10 <sup>-5</sup> Kgm <sup>2</sup>

CPLG HUBS DYNAMICALLY BALANCED TO GR.6.3 AS PER ISO 1940- 1.

**MAX. MISALIGNMENTS**

AXIAL DEFLECTION	±1 mm
ANGULAR DEFLECTION	1°
RADIAL DEFLECTION	0.4 mm

2	SPIDER	POLYURETHANE	1
1	HUB	SINTERED IRON	2
SR NO	DESCRIPTION	MATERIAL	QTY.

REV.	DMRN NO.	DESCRIPTION	REV. BY	DATE

TITLE: **L-75/----- CPLG** MATERIAL: **REFER TABLE**

AUTHORITY: \_\_\_\_\_ INITIALS: \_\_\_\_\_ SIGN: \_\_\_\_\_ DATE: \_\_\_\_\_

CHECKED: \_\_\_\_\_

APPROVED: \_\_\_\_\_

CUSTOMER NAME: \_\_\_\_\_

SCALE: NTS REF. No.: \_\_\_\_\_

**RATHI** RATHI TRANSPOWER PVT LTD PUNE 411014 DRG. No.: -----/-

This drawing / information / design is the property of Rathi Transpower Pvt. Ltd. It is confidential & must not be made public or copied without prior written authorization & is subjected to recall at any time. Acceptance of this drawing constitutes full agreement with these conditions