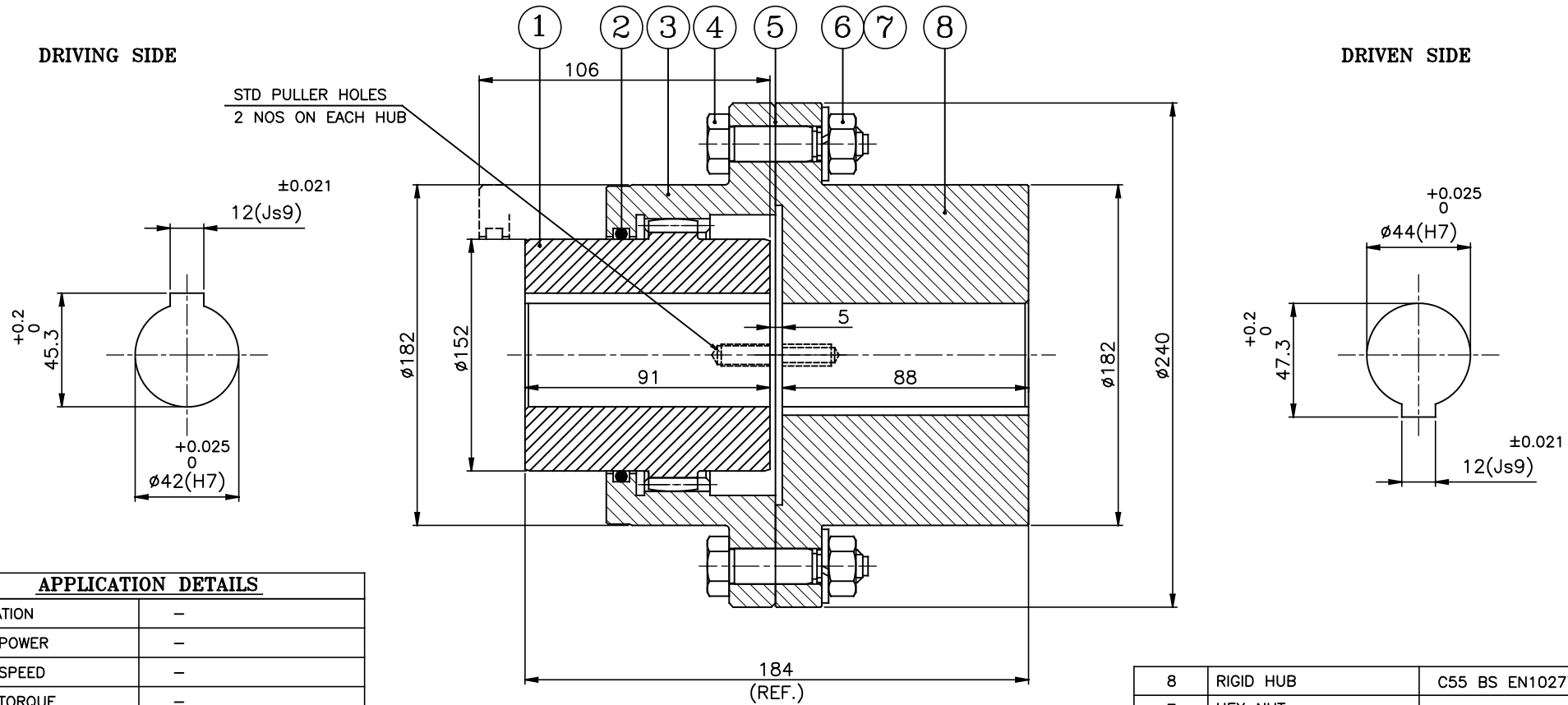


J I H G F E D C B A

8  
7  
6  
5  
4  
3  
2  
1

DRIVING SIDE

DRIVEN SIDE



**APPLICATION DETAILS**

|              |   |
|--------------|---|
| APPLICATION  | - |
| RATED POWER  | - |
| RATED SPEED  | - |
| RATED TORQUE | - |
| A.S.F.       | - |

**COUPLING SPECIFICATION**

|                           |                                     |
|---------------------------|-------------------------------------|
| COUPLING RATING           | 168 kW @ 100 RPM                    |
| RATED TORQUE              | 16.043 kNm.                         |
| PEAK TORQUE               | 32.086 kNm                          |
| MAX. SPEED                | 4400 rpm                            |
| MAX. BORE                 | FLEX HUB 115 mm<br>RIGID HUB 130 mm |
| INERTIA(WK <sup>2</sup> ) | 0.2211 Kg <sup>m</sup>              |
| WEIGHT(Approx.)           | 40.3 kg                             |

ONLY CPLG HUBS TO BE DYNAMICALLY BALANCED TO Gr. 6.3, ISO-1940-1

**MAX. MISALIGNMENTS**

|                    |                    |
|--------------------|--------------------|
| AXIAL DEFLECTION   | ±0.25 mm           |
| ANGULAR DEFLECTION | ±2° Deg./Gear mesh |

**NOTE:-**

- \* GREASE PLUG ON BOTH SLEEVES WILL BE PROVIDED FOR LUBRICATION.
- \* TIGHTENING TORQUE OF THE BOLT(S.NO.-4) - 97 Nm
- \* GREASE QTY.- 0.170 Kg (CUSTOMER'S SCOPE)

| 8      | RIGID HUB          | C55 BS EN10277-2   | 1    |
|--------|--------------------|--------------------|------|
| 7      | HEX NUT            | H.T.S.             | 8    |
| 6      | SPRING WASHER      | SPRING STEEL       | 8    |
| 5      | GASKET             | NON ASBESTOS PAPER | 1    |
| 4      | HEX HEAD FIT BOLTS | H.T.S.             | 8    |
| 3      | SLEEVE             | C55 BS EN10277-2   | 1    |
| 2      | 'O' RING           | NITRILE RUBBER     | 1    |
| 1      | FLEX. HUB          | C55 BS EN10277-2   | 1    |
| SR.NO. | DESCRIPTION        | MATERIAL           | QTY. |

| REV. | DMRN NO. | DESCRIPTION | REV. BY | APPD. BY | DATE |
|------|----------|-------------|---------|----------|------|
|      |          |             |         |          |      |

TITLE: **RGS-30/-COUPLING**

CUSTOMER NAME: \_\_\_\_\_

SCALE: NTS REF. No.: \_\_\_\_\_

**RATHI** RATHI TRANSPower PVT LTD PUNE 411014

DRG. No.: \_\_\_\_\_

This drawing / information / design is the property of Rathi Transpower Pvt. Ltd. It is confidential & must not be made public or copied without prior written authorization & is subjected to recall at any time. Acceptance of this drawing constitutes full agreement with these conditions