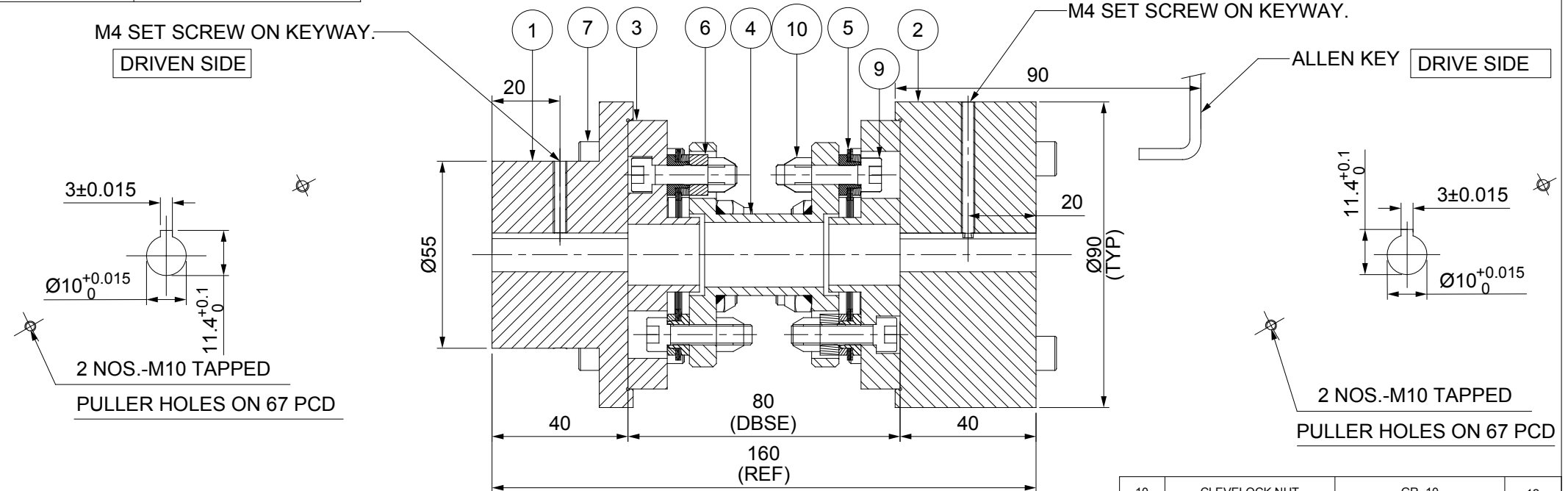


ERP CODE: \_\_\_\_\_



APPLICATION DETAILS	
APPLICATION	-
RATED POWER	-
RATED SPEED	-
RATED TORQUE	-
A.S.F.	-
COUPLING SPECIFICATIONS	
COUPLING RATING	1.0 KW @ 100 RPM
RATED TORQUE	96 Nm
MAX. BORE	HUB(III)-38 mm HUB(IV)-48 mm
WEIGHT (Approx.)	4.319 kg
INERTIA (WK <sup>2</sup> )	0.004 kg.M <sup>2</sup>
TORSIONAL STIFFNESS	0.018 MNm/rad
CPLG DYNAMIC BALANCING TO GR 6.3 AS PER ISO 1940- 1	
MAX. MISALIGNMENT	
AXIAL DEFLECTION	± 1 mm
ANGULAR DEFLECTION	0.75°
RADIAL MISALIGNMENT	0.013 mm

**NOTE:-**  
**TIGHTENING TORQUE :-**  
 1) SR.NO.9 COUPLING BOLT = 12.1Nm  
 2) SR.NO.7&8 ATTACHMENT BOLT = 12.1Nm

REV	DMRN NO.	DESCRIPTION	REV. BY	APPD. BY	DATE

SR.NO.	DESCRIPTION	MATERIAL	QTY.
10	CLEVELOCK NUT	GR. 10	12
9	COUPLING BOLT	AH BOLT GR. 12.9	12
8	ATTACHMENT BOLT (IV)	AH BOLT GR. 12.9	6
7	ATTACHMENT BOLT (III)	AH BOLT GR. 12.9	6
6	SLEEVE	ASTM A 1040	6
5	ELEMENT BLADE ASSEMBLY	SS 301	2
4	SPACER	ASTM A 1040/ASTM A-106B, ASTM A-36	1
3	ADAPTER III/IV	ASTM A 1040	2
2	DRIVE HUB (III)	ASTM A 1040	1
1	DRIVEN HUB (IV)	ASTM A 1040	1

TITLE:	MATERIAL:	AUTHORITY	INITIALS	SIGN	DATE
REM-8(80) III/IV /XXXX CPLG	REFER TABLE	DRAWN	-	-	-
CUSTOMER NAME:		CHECKED	-	-	-
		APPROVED	-	-	-
		SCALE: 1:1	REF. NO.		
		ANG. OF PROJ.			
		RATHI TRANSPower PVT LTD			DRG.NO.:
		PUNE-411014			L/REM-XXXX/O

This drawing/information/design is the property of Rathi Transpower Pvt. Ltd. It is confidential & must not be made public or copied without prior written authorization & is subjected to recall at any time. Acceptance of this drawing constitutes full engagements with these conditions.