

J I H G F E D C B A

8

7

6

5

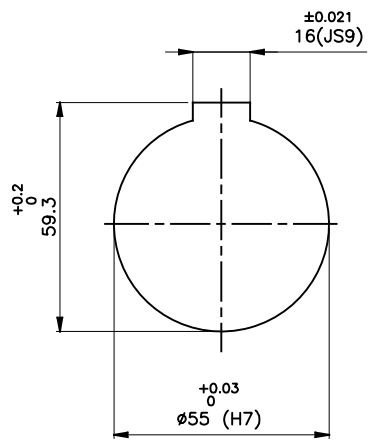
4

3

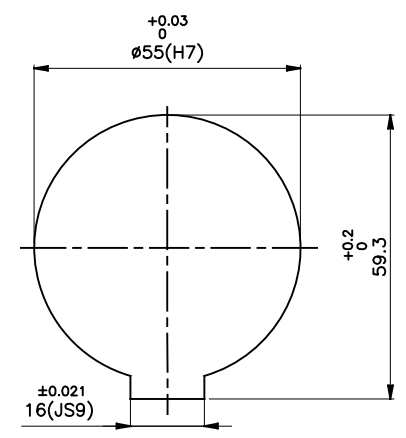
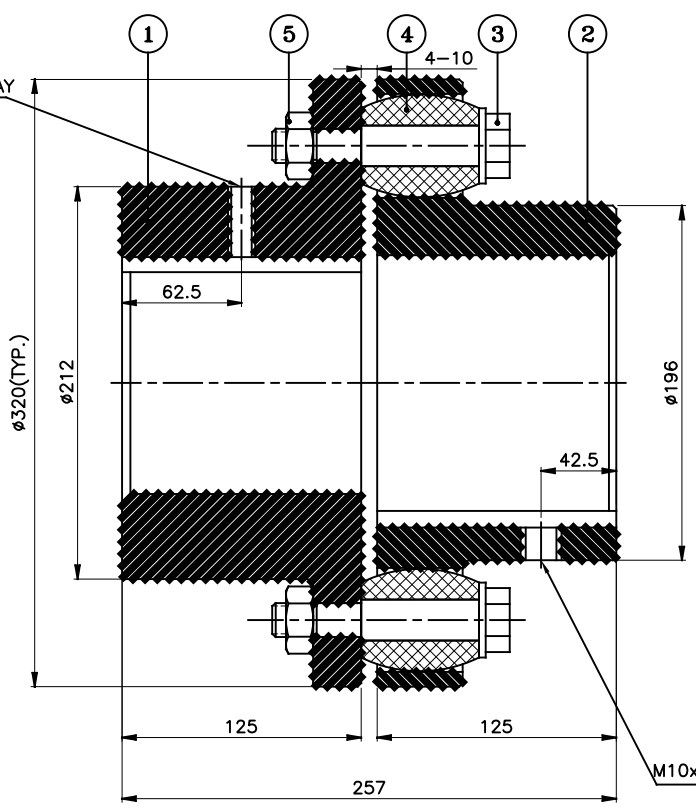
2

1

24



DRIVE END



DRIVEN END

APPLICATION DETAILS		
APPLICATION	-	
RATED POWER	-	
RATED SPEED	-	
RATED TORQUE	-	
A.S.F.	-	
COUPLING SPECIFICATIONS		
COUPLING RATING	96 kW @ 100 RPM	
RATED TORQUE	9.16 kNm.	
PEAK TORQUE	18.32 kNm.	
MAX. SPEED	2100 rpm.	
MAX. BORE	PIN HALF	135 mm
	BUSH HALF	125 mm
WEIGHT (Approx.)	72.42 kg	
INERTIA (WK ²)	0.75 kgm²	
COUPLING HUBS DYNAMICALLY BALANCED TO GR. 6.3 AS PER ISO: 1940-1.		
MAX. MISALIGNMENTS		
AXIAL DEFLECTION	±3 mm.	
ANGULAR DEFLECTION	1°	
RADIAL DEFLECTION	0.7 mm	

SR NO	DESCRIPTION	MATERIAL	QTY
5	NYLOCK NUT	NYLOCK NUT GR. 8	12
4	BUSH	POLYURETHANE	12
3	PIN	EN-8D/15B25	12
2	BUSH HALF	CI IS-210 Gr.FG-260	1
1	PIN HALF	CI IS-210 Gr.FG-260	1

REV.	DMRN NO.	DESCRIPTION	REV. BY	APPD. BY	DATE

TITLE:	RB-320-12 /----- CPLG.	MATERIAL:	REFER TABLE	AUTHORITY:	INITIALS	SIGN	DATE
CUSTOMER NAME:				DRAWN	-	-	-
				CHECKED	-	-	-
				APPROVED	-	-	-
				SCALE: NTS	REF. No.:	-	
						-	
				RATHI TRANSPOWER PVT LTD			DRG. No.:
				PUNE 411014			-

This drawing / information / design is the property of Rathi Transpower Pvt. Ltd. It is confidential & must not be made public or copied without prior written authorization & is subjected to recall at any time. Acceptance of this drawing constitutes full agreement with these conditions